

△ Abbreviation of corporation name
 △ Abbreviation of the Item name (opposite side)

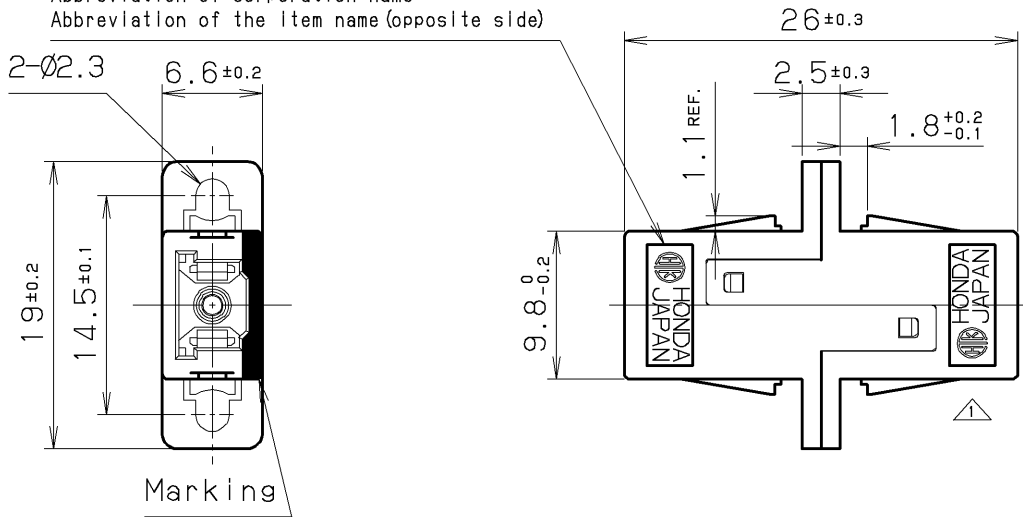
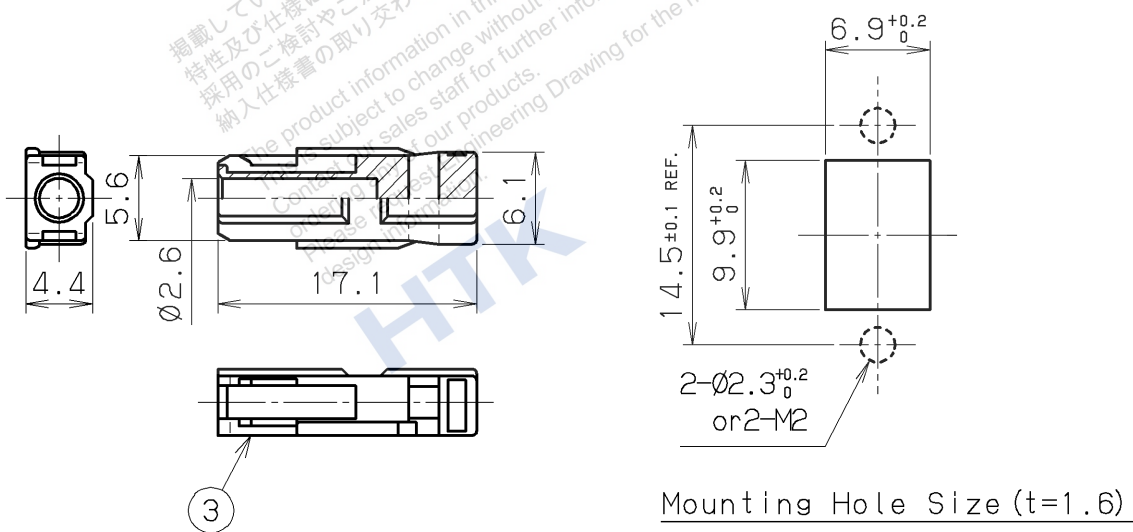
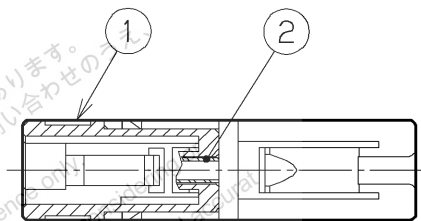


Table 1

| Item Number | Materials of Alignment Sleeves |
|-------------|--------------------------------|
| LGC-A622 | Zirconia |
| LGC-A622P | Phosphor bronze |



| △ | | | | 3 | Cap | PBT Resin | 2 | --- | Color : White | |
|------|--------------|------|-----------------|----------|------------------|-----------------------------|----------|-----|---------------|------|
| △ | | | | 2 | Alignment Sleeve | Zirconia or Phosphor bronze | 1 | --- | See Table1 | |
| △ | SEP. 27 2010 | N. G | Notation change | 1 | Housing | PPS Resin | 2 | --- | Color : Brown | |
| LTR. | DATE | BY | REV. | DESCRIPT | No. | PART NAME | MATERIAL | QTY | FINISH | NOTE |

| | | | | | | | | | | |
|-----------------------|-----|----------------|-----------|--------------------|--|-----------|--|--|--|--|
| DATE DEC. 16. 2003 | | SCALE 2 / 1 | | UNIT mm (1/16") | | 3RD. A. P | | HTK HONDA TSUSHIN KOGYO CO., LTD. | | |
| APP. DATE&REV. | | | | | | NAME | | MU-A Type Adaptor (Screw-Fixing-Bracket for Vertical Board) | | |
| DR. | DE. | CHK. | CHK. | APP. | | PART NO. | | LGC-A622 () | | |
| N. GOTO | --- | T. KOISO | Y. OHKUBO | T. EGUCHI | | | | | | |