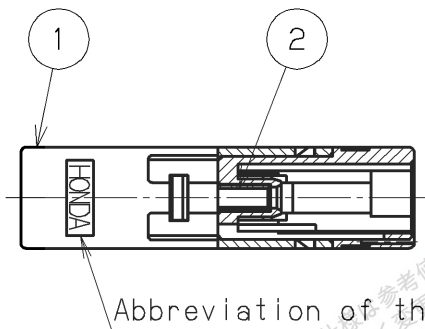
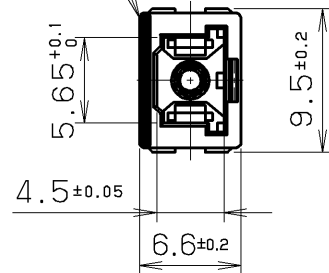


Abbreviation of the item name

Markings



Abbreviation of the corporation name

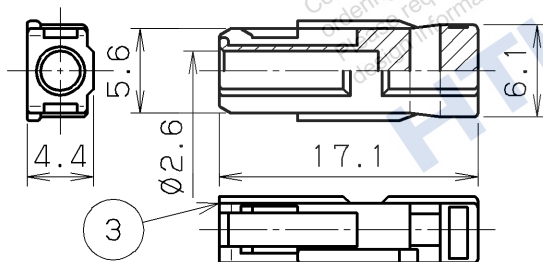


Table 1

Item Number	Materials of Alignment Sleeves
LGC-A640	Zirconia
LGC-A640P	Phosphor bronze

③				3	Cap	PBT Resin	2	---	Color:White	
②				2	Alignment Sleeve	Zirconia or Phosphor bronze	1	---	See Table1	
①				1	Housing	PPS Resin	2	---	Color:Brown	
LTR.	DATE	BY	REV.	DESCRIPT	No.	PART NAME	MATERIAL	QTY	FINISH	NOTE
DATE		SCALE		UNIT	3RD. A. P	HONDA TSUSHIN KOGYO CO., LTD.				
OCT.12.2001		2/1		mm (INCH)						
APP. DATE&REV.						NAME	MU-A Type Adaptor			
DR.	DE.	CHK.	CHK.	APP.	PART NO.	LGC-A640 ( )				
M. YAMADA	---	---	K. YOSHIMURA	T. NAKANO						