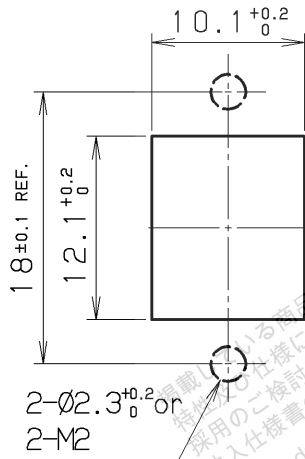


Abbreviation of corporation name

Abbreviation of the item name



Mounting Hole Size (t=1.6)

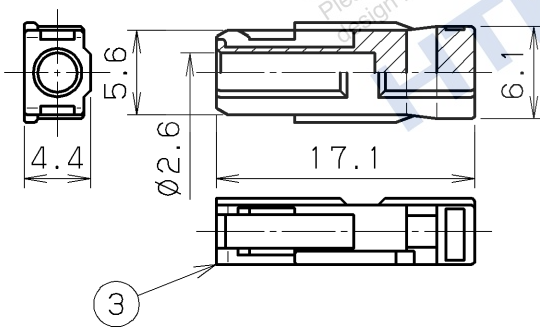
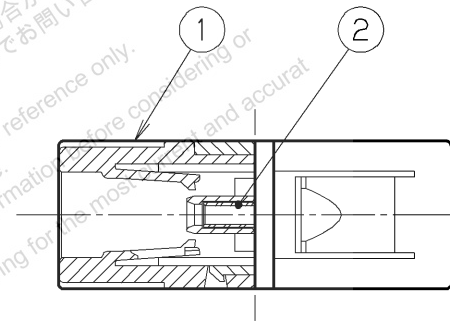


Table 1

Item Number	Materials of Alignment Sleeves
LGC-2A622	Zirconia
LGC-2A622P	Phosphor bronze

③				3	Cap	PBT Resin	4	---	Color:White	
②				2	Alignment Sleeve	Zirconia or Phosphor bronze	2	---	See Table1	
①				1	Housing	PPS Resin	2	---	Color:Brown	
LTR.	DATE	BY	REV.	DESCRPT	No.	PART NAME	MATERIAL	QTY	FINISH	NOTE
	DEC.05.2003									
APP. DATE&REV.						HONDA TSUSHIN KOGYO CO., LTD.				
DR.	DE.	CHK.	CHK.	APP.	NAME		MU-2A Type Adaptor (Screw-Fixing-Bracket for Vertical Board)			
K. TOMOYASU	---	T. YOSHIZAKI	---	T. NAKANO	PART NO.		LGC-2A622 ( )			