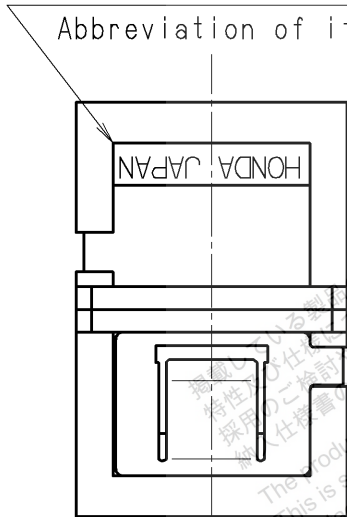


Abbreviation of corporation name.

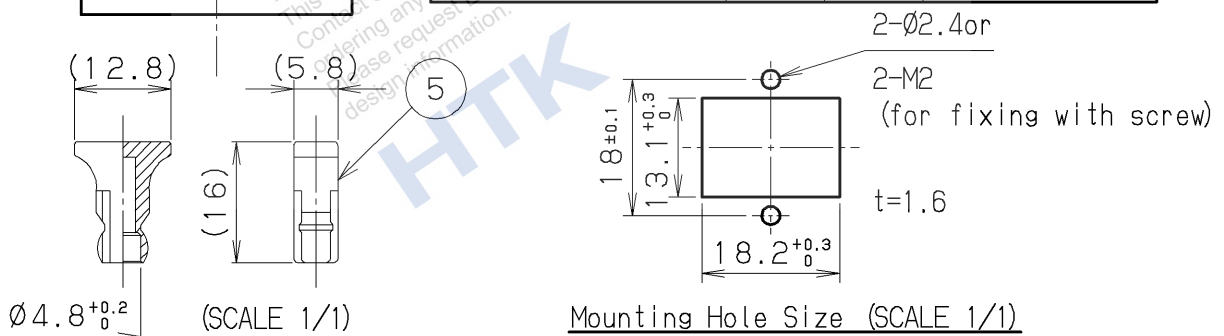
Abbreviation of item name. (opposite side)



Note1) Caps are assembled to this part.

Table1)

PART NO.	A	B	Material of Alignment Sleeve
LGC-H2A301ASH	3.00	2.95	Phosphor Bronze
"/-H2A303ASH			Zirconia
LGC-H2A301BSH	1.30	2.95	Phosphor Bronze
"/-H2A303BSH			Zirconia
LGC-H2A301PSH	2.15	1.25	Phosphor Bronze
"/-H2A303PSH			Zirconia
LGC-H2A301RSH	2.15	4.65	Phosphor Bronze
"/-H2A303RSH			Zirconia



Mounting Hole Size (SCALE 1/1)

③	②	①	5	4	3	2	1
			Cap	Alignment Sleeve	Sleeve	Plate	Adaptor Housing
			Synthetic Resin	See Table1)	Synthetic Resin	Stainless steel	Synthetic Resin
			4	2	4	1	2
							Color : Blue

LTR.	DATE	BY	REV.	DESCRIPT	No.	PART NAME	MATERIAL	QTY	FINISH	NOTE
------	------	----	------	----------	-----	-----------	----------	-----	--------	------

DATE	SCALE	UNIT	3RD. A. P	HONDA TSUSHIN KOGYO CO., LTD.						
Feb.6.2002	2/1	mm (INCH)								
APP. DATE&REV.				NAME		SCH-2A Type Adaptor (Vertical Duplex)				
DR.	DE.	CHK.	CHK.	APP.	PART NO.		LGC-H2A30 () () SH			
K. TOMOYASU	K. TOMOYASU	M. YAMADA	T. TODA	T. NAKANO						