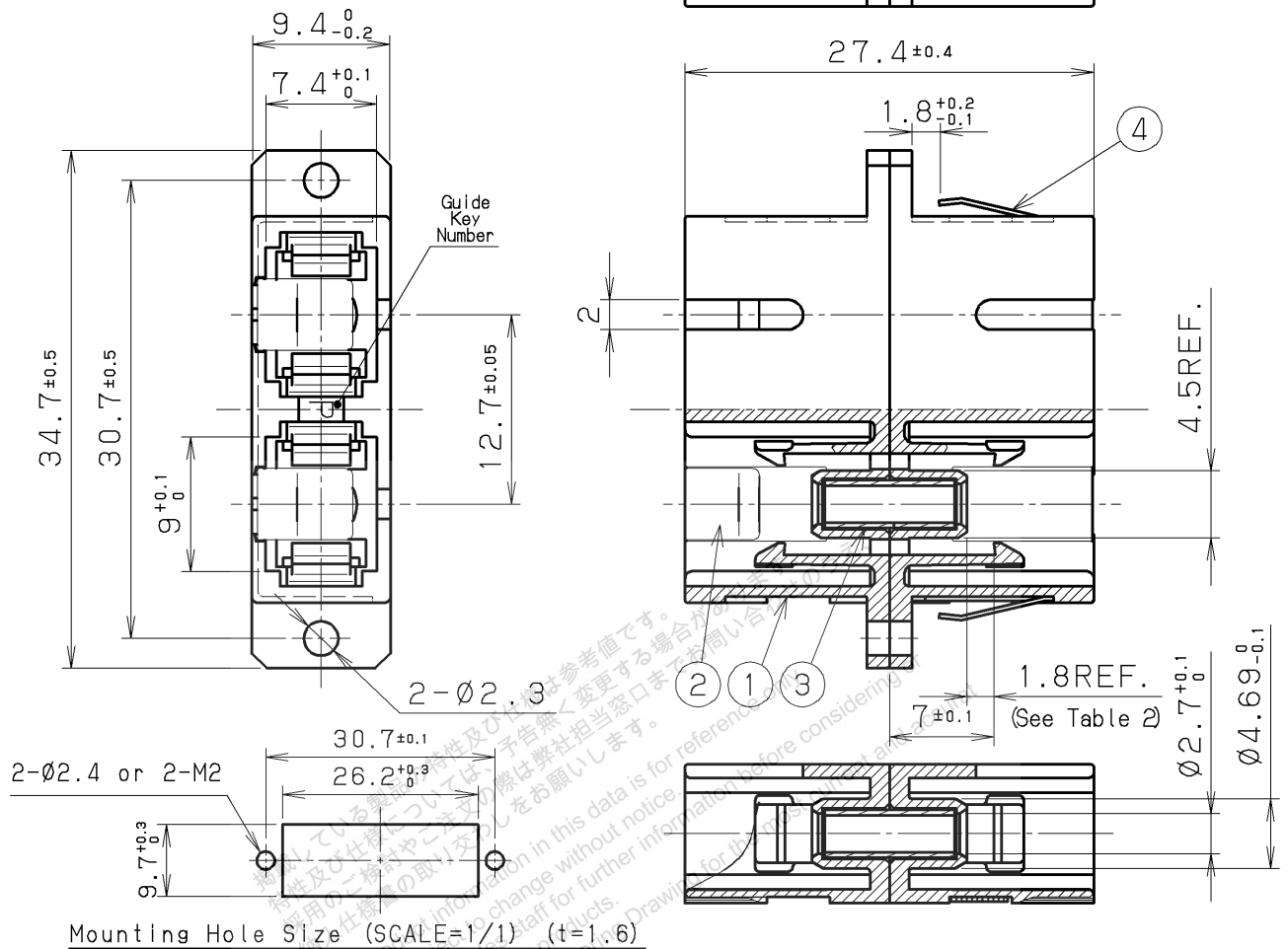


RoHS COMPLIANT

Abbreviation of the item name
Abbreviation of the corporation name (opposite side)

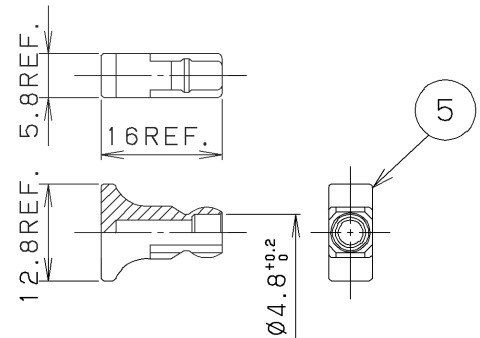


Mounting Hole Size (SCALE=1/1) (t=1.6)

Table 1)

Part No.	Corporation Name Indication	Housing Color	Cap Color
LGC-SF2A303PSH	x	Blue	Blue
LGC-SF2A303PSA	NA	Blue	Blue
LGC-SF2A303PSB	x	Green	Green
LGC-SF2A303PSC	NA	Green	Green
LGC-SF2A303PSD	x	Green	Black

Note 1) Insertion loss is 0.3dB or less.
Note 2) It is different from IEC but it is not the hindrance for fit with SC type plug of the IEC.
Note 3) Cap is assembled to this part.



Cap (SCALE=1/1)

No.	PART NAME	MATERIAL	QTY	FINISH	NOTE
5	Cap	PBT Resin	4	—	See Tabele 1
4	Plate	Stainless Steel	1	—	—
3	Alignment Sleeve	Zirconia	2	—	—
2	Shutter	Stainless Steel	2	—	—
1	Housing	PPS Resin	2	—	See Tabele 1

LTR.	DATE	BY	REV.	DESCRIPT	No.	PART NAME	MATERIAL	QTY	FINISH	NOTE	
	DATE	SCALE	UNIT	3RD. A. P	HONDA TSUSHIN KOGYO CO., LTD.						
	Apr. 16. 2009	2/1	mm (INCH)								
	APP. DATE&REV.										
	DR.	DE.	CHK.	CHK.	APP.	NAME	SCF-2A type Adaptor with a Shutter				
	S. SEKI	—	T. YOSHIZAKI	Y. OHKUBO	T. EGUCHI	PART NO.	LGC-SF2A303PS ()			REV.	