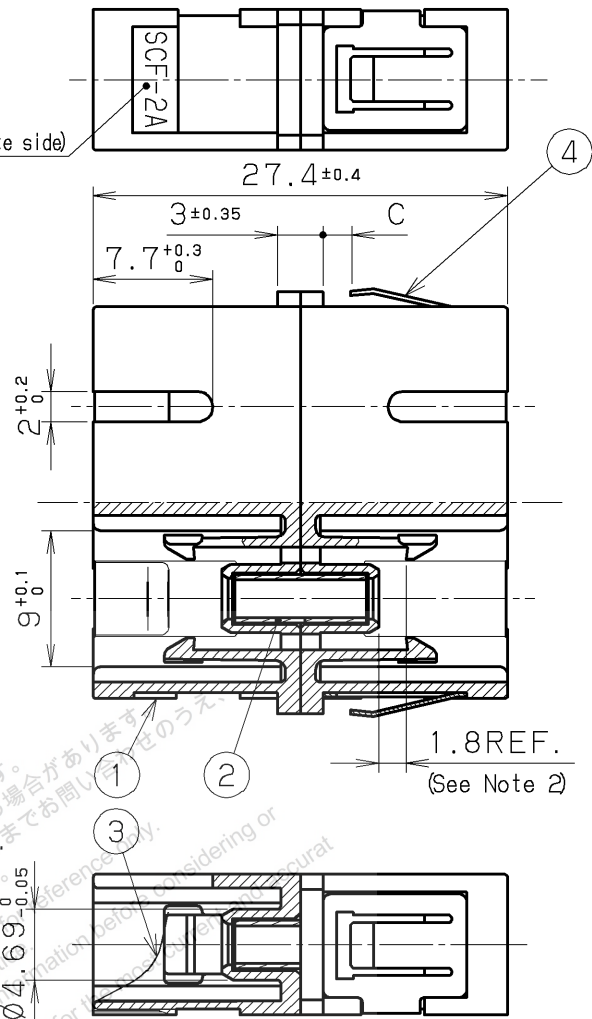
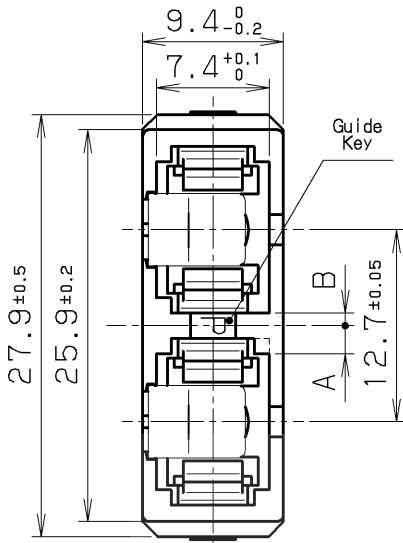


RoHS COMPLIANT

Abbreviation of the item name
Abbreviation of the corporation name (opposite side)



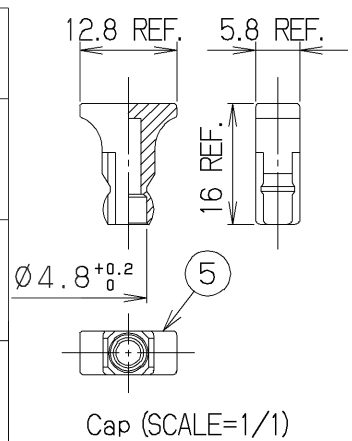
Note 1) Insertion loss is 0.3dB or less.

Note 2) It is different from IEC,
but it is not the hindrance for fit with SC type plug of the IEC.

Note 3) Adaptor is supplied with the cap assembled.

Table 1)

| Part No. | Guide Key | A (mm) | B (mm) | Corporation name | Housing & Cap Color | Polishing type | C (mm) | Thickness of PCB (mm) |
|-------------------|-----------|--------|--------|------------------|---------------------|----------------|-------------------------------------|-----------------------|
| LGC-SF2A337RSH | R | 0.85 | 0.85 | HONDA | Blue | PC | 1.8 ^{+0.2} _{-0.1} | t=1.6 |
| LGC-SF2A337PSH | P | 1.85 | 1.85 | | Blue | PC | | |
| LGC-SF2A337RSB | R | 0.85 | 0.85 | | Green | APC | | |
| LGC-SF2A337PSB | P | 1.85 | 1.85 | | Green | APC | | |
| LGC-SF2A337RSHT10 | R | 0.85 | 0.85 | | Blue | PC | 1.2 ^{+0.2} _{-0.1} | t=1.0 |
| LGC-SF2A337PSHT10 | P | 1.85 | 1.85 | | Blue | PC | | |
| LGC-SF2A337RSBT10 | R | 0.85 | 0.85 | | Green | APC | | |
| LGC-SF2A337PSBT10 | P | 1.85 | 1.85 | | Green | APC | | |
| LGC-SF2A337RSHT12 | R | 0.85 | 0.85 | | Blue | PC | 1.4 ^{+0.2} _{-0.1} | t=1.2 |
| LGC-SF2A337PSHT12 | P | 1.85 | 1.85 | | Blue | PC | | |
| LGC-SF2A337RSBT12 | R | 0.85 | 0.85 | | Green | APC | | |
| LGC-SF2A337PSBT12 | P | 1.85 | 1.85 | | Green | APC | | |



| | | | | | | | | | |
|----|--|--|--|---|------------------|-----------------|---|---|-------------|
| | | | | 5 | Cap | PBT Resin | 4 | — | See Table 1 |
| | | | | 4 | Plate | Stainless Steel | 1 | — | — |
| △3 | | | | 3 | Shutter | Stainless Steel | 2 | — | — |
| △2 | | | | 2 | Alignment Sleeve | Zirconia | 2 | — | — |
| △1 | | | | 1 | Housing | PPS Resin | 2 | — | See Table 1 |

| LTR. | DATE | BY | REV. | DESCRIPT | No. | PART NAME | MATERIAL | QTY | FINISH | NOTE |
|------|------|----|------|----------|-----|-----------|----------|-----|--------|------|
|------|------|----|------|----------|-----|-----------|----------|-----|--------|------|

| | | | | | | | | | | |
|------------------|--------------|-----------|------|-----------|----------|-----------|-------------------------|------|--|------------------------------|
| DATE | | SCALE | | UNIT | | 3RD. A. P | | | | |
| May. 21. 2015 | | 2/1 | | mm (INCH) | | | | | | |
| APP. DATE & REV. | | | | | | | | NAME | | SC type Adaptor with Shutter |
| DR. | DE. | CHK. | CHK. | APP. | PART NO. | | LGC-SF2A337 () () () | | | |
| T. YOSHIZAKI | T. YOSHIZAKI | Y. OHKUBO | — | Y. KATO | | | | | | |