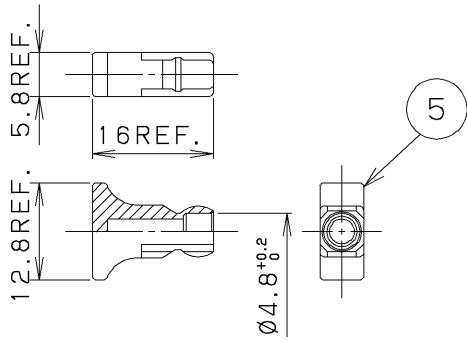
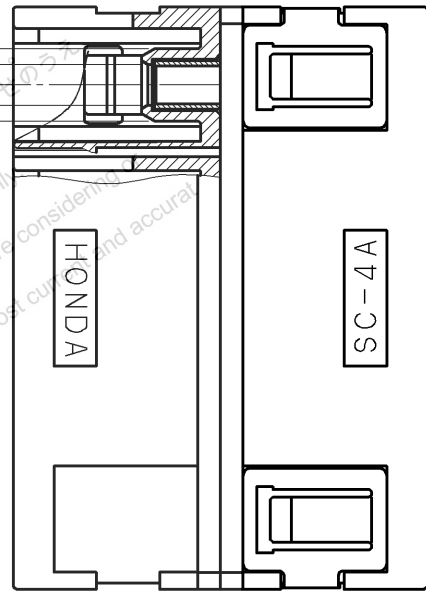
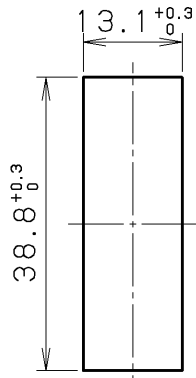
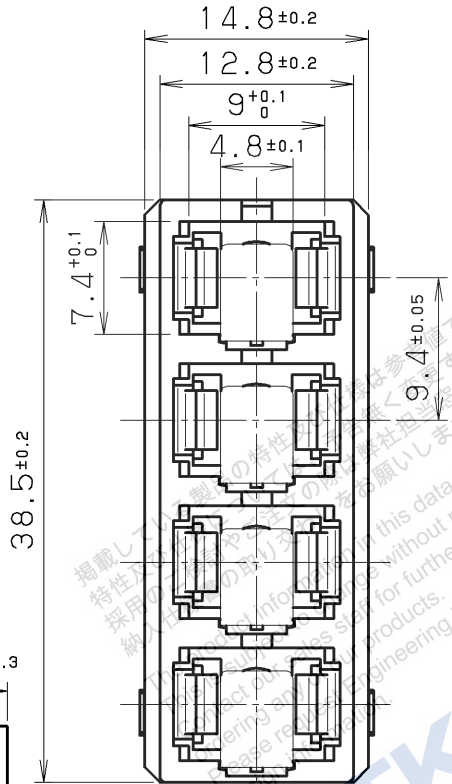
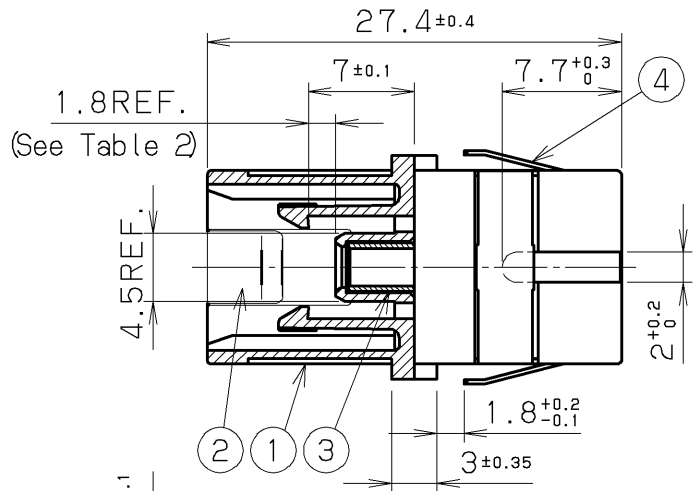


RoHS COMPLIANT



Cap (SCALE=1/1)



Note 1) Insertion loss is 0.3dB or less.

Note 2) It is different from IEC, but it is not the hindrance for fit with SC type plug of the IEC.

Note 3) Cap is assembled to this part.

Table 1)

Part No.	Corporation Name Indication	Housing Color	Cap Color
LGC-SH4A313	x	Blue	Blue
LGC-SH4A313G	x	Green	Green
LGC-SH4A313GBL	x	Green	Black

Mounting Hole Size (SCALE=1/1) (t=1.6)

③	②	①	No.	PART NAME	MATERIAL	QTY	FINISH	NOTE
			5	Cap	PBT Resin	8	—	See Table 1
			4	Plate	Stainless Steel	2	—	—
			3	Alignment Sleeve	Zirconia	4	—	—
			2	Shutter	Stainless Steel	4	—	—
			1	Housing	PPS Resin	2	—	See Table 1

LTR.	DATE	BY	REV.	DESCRIPT	No.	PART NAME	MATERIAL	QTY	FINISH	NOTE
------	------	----	------	----------	-----	-----------	----------	-----	--------	------

DATE Apr. 16. 2009		SCALE 2/1		UNIT mm (INCH)		3RD. A. P		HONDA TSUSHIN KOGYO CO., LTD.			
APP. DATE & REV.		DR.		DE.		CHK.		CHK.		APP.	
S. SEKI		—		T. YOSHIZAKI		Y. OHKUBO		T. EGUCHI		NAME SCH-4A type Adaptor with a Shutter	
								PART NO.		LGC-SH4A313 ()	
										REV.	