

Mounting Hole Size
(t=1.6)

掲載している製品仕様は参考値です。特性及び仕様についてご注文の際は必ず変更承認書をお送りください。The product information in this data is for reference only. This is subject to change without notice. Contact our sales office for further information for the most current and accurate ordering requirements. Please request Engineering design info.

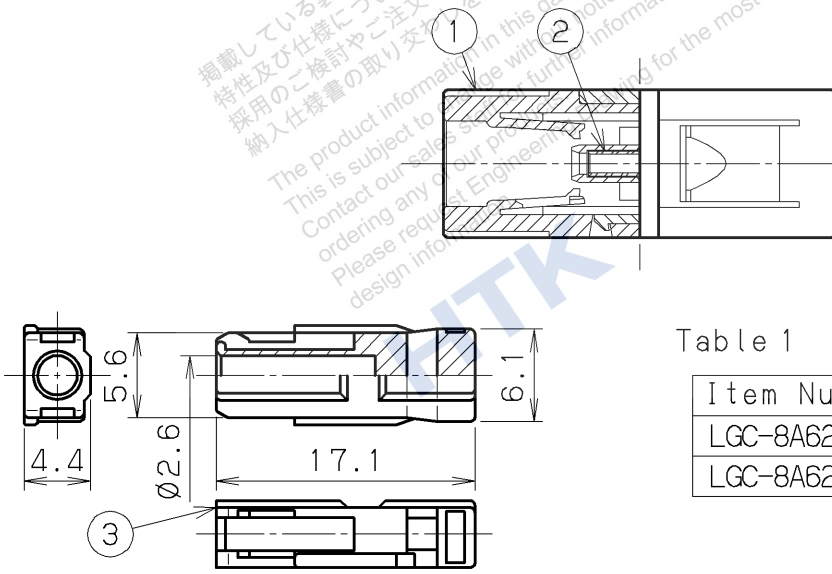


Table 1

Item Number	Materials of Alignment Sleeves
LGC-8A622	Zirconia
LGC-8A622P	Phosphor bronze

$\triangle 3$				3	Cap	PBT Resin	16	---	Color:White
$\triangle 2$				2	Alignment Sleeve	Zirconia or Phosphor bronze	8	---	See Table1
$\triangle 1$				1	Housing	PPS Resin	2	---	Color:Brown

LTR.	DATE	BY	REV.	DESCRIPT	No.	PART NAME	MATERIAL	QTY	FINISH	NOTE
------	------	----	------	----------	-----	-----------	----------	-----	--------	------

DATE		SCALE		UNIT		3RD. A. P		HONDA TSUSHIN KOGYO CO., LTD.			
MAR.27.2000		2/1		mm (INCH)							
APP. DATE&REV.								NAME MU-8A Type Adaptor			
DR.	DE.	CHK.	CHK.	APP.							
M. YAMADA	---	K. TOMOYASU	K. YOSHIMURA	T. NAKANO	PART NO.		LGC-8A622 ()				