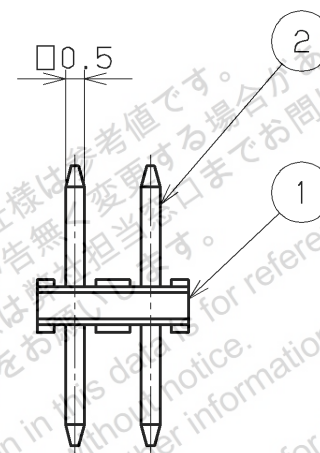
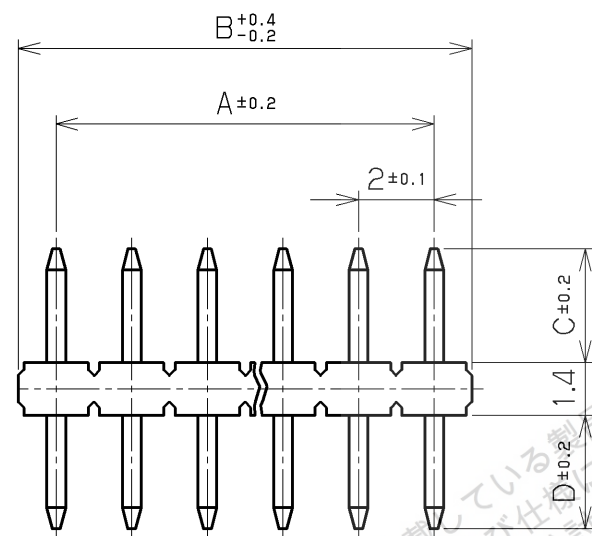


RECOMMENDED PCB LAYOUT



NOTE1. "n" SHOWS NUMBER OF CONTACTS.

2. AS FOR THE DIMENTION, SEE TABLE #1, #2.

3. THE CONNECTOR CUTS AN INSULATOR AT THE "B" SIZE PART AND MAKES A CONNECTOR.

TABLE 1

n	A	B
2	—	(2)
4	2	4
6	4	6
8	6	8
10	8	10
12	10	12
14	12	14
16	14	16
18	16	18
20	18	20
22	20	22
24	22	24

TABLE 2

PART NO.	C	D
LPC- (n) MA2 ()	3	3
LPC- (n) TMA2 ()	2.5	2.5
LPC- (n) T1MA2 ()	1.5	2.5
LPC- (n) T2MA2 ()	2	1
LPC- (n) T3MA2 ()	1.5	2
LPC- (n) T4MA2 ()	1.5	2.9
LPC- (n) T5MA2 ()	2.9	2.1
LPC- (n) T6MA2 ()	3.5	5.7
LPC- (n) T7MA2 ()	3.5	5.1
LPC- (n) T8MA2 ()	3.2	1.8
LPC- (n) T9MA2 ()	3.9	2.6
LPC- (n) T10MA2 ()	3.9	2.8
LPC- (n) T11MA2 ()	2.6	6.0
LPC- (n) T12MA2 ()	3.9	2.1

TABLE 3

PART NO.	PLATING
LPC- (n) (T) MA2	TIN/LEAD 2μm
LPC- (n) (T) MA2G	GOLD 0.2μm

LTR.	DATE	BY	REV.	DESCRIPT	No.	PART NAME	MATERIAL	QTY	FINISH	NOTE
△	Sep.26.2014	S. I	Add	T12						
△	Nov.13.2012	A. T	Add	T11						
△	Jun.28.2012	M. K	Add	T9, T10	2	CONTACT	PHOSPHOR BRONZE	n	SEE TABLE #3	—
△	APR.05.2005	T. O	REVISE		1	INSULATOR	PPS	1	—	UL94V-0 BROWN

DATE	SCALE	UNIT	3RD. A. P	NAME	MALE CONNECTOR
OCT.11 (1991)	5/1	mm (INCH)			
APP. DATE&REV.				DR.	DE.
				S. IJIMA	S. IJIMA
				CHK.	CHK.
				K. TASHIRO	—
				APP.	Y. KATO
				NAME	MALE CONNECTOR
				PART NO.	LPC- () () MA2 ()
				REV.	4D