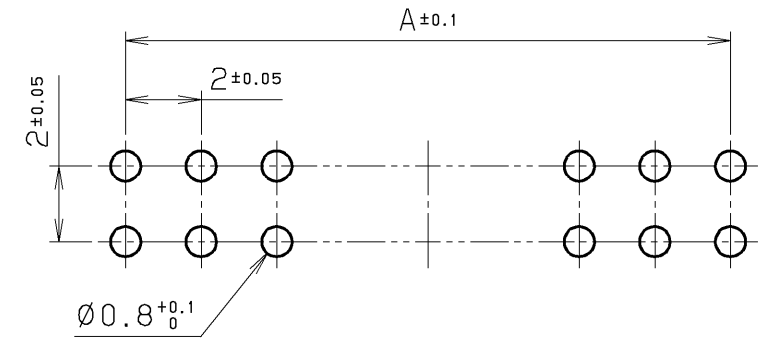
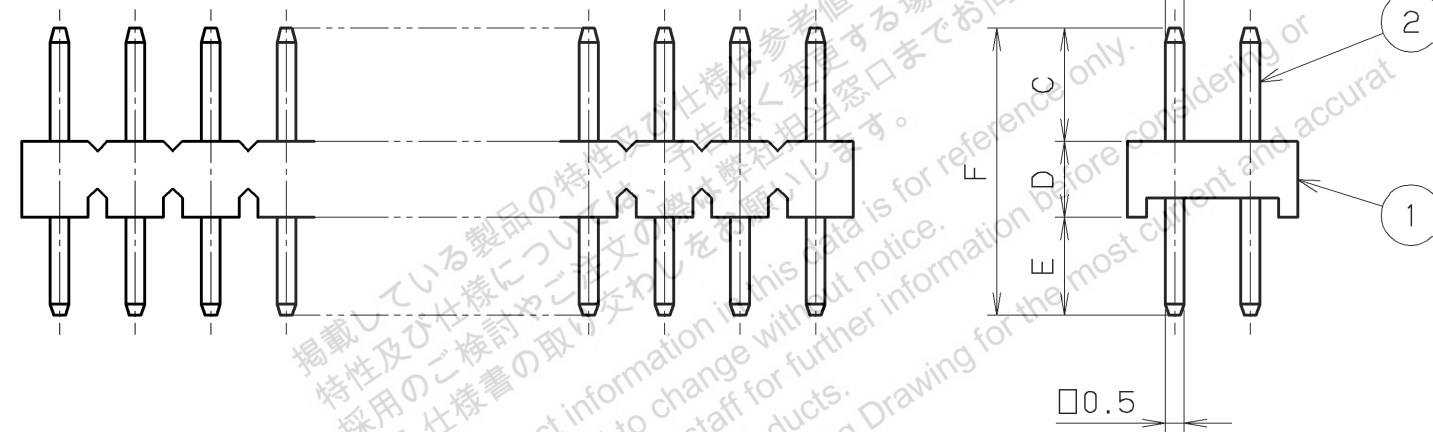
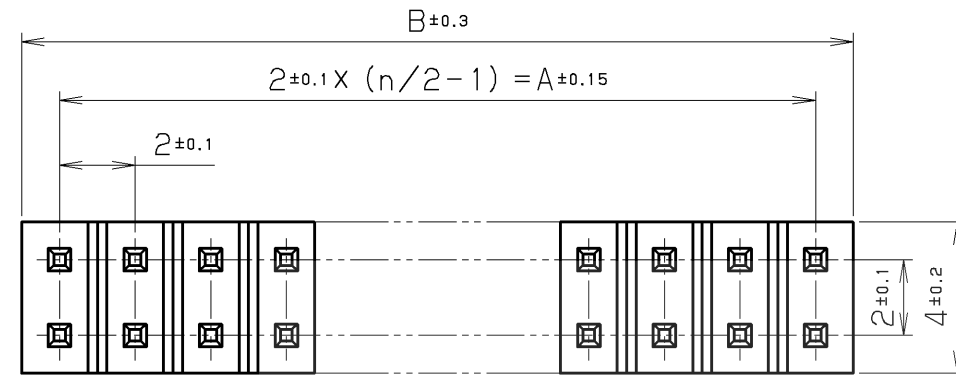


TABLE 1

n	A	B
2	—	(2)
4	2	4
6	4	6
8	6	8
10	8	10
12	10	12
14	12	14
16	14	16
18	16	18
20	18	20
22	20	22
24	22	24
26	24	26
28	26	28
30	28	30
32	30	32
34	32	34
36	34	36
38	36	38
40	38	40
42	40	42
44	42	44
46	44	46
48	46	48
50	48	50
52	50	52
54	52	54
56	54	56
58	56	58
60	58	60



RECOMMENDED PCB LAYOUT

NOTE1. "n" SHOWS NUMBER OF CONTACTS.

2. AS FOR THE DIMENTION, SEE TABLE #1, #3.

3. THE CONNECTOR CUTS AN INSULATOR AT THE 'B' SIZE PART AND MAKES A CONNECTOR.

TABLE 2

PART NO.	PLATING
LPC- (n) () M2	TIN/LEAD 2μm
LPC- (n) () M2G	GOLD 0.2μm OVER NICKEL 2μm
LPC- (n) () M2G1	GOLD 0.1μm OVER NICKEL 2μm
LPC- (n) () M2G2	GOLD 0.05μm OVER NICKEL 2μm
LPC- (n) () M2G3	GOLD 0.76μm OVER NICKEL 2μm

TABLE 3

PART NO.	C	D	E	F	INSULATOR MATERIAL (COLOR)	CONTACT MATERIAL
LPC- (n) M2 ()	3±0.3	2±0.2	(2.6)	7.6±0.3	PA66 (BLACK)	PHOSPHOR BRONZE
LPC- (n) T1M2 ()	3±0.2	3.4 ^{+0.1} _{-0.3}	2.6±0.3	—	PBT (BLACK)	PHOSPHOR BRONZE
LPC- (n) T2M2 ()	3±0.3	2±0.2	(12)	17±0.3	PA66 (BLACK)	PHOSPHOR BRONZE
LPC- (n) T4M2 ()	3±0.3	2±0.2	(4.5)	9.5±0.3	PA66 (BLACK)	PHOSPHOR BRONZE
LPC- (n) T7M2 ()	4±0.3	2±0.2	(2.5)	8.5±0.3	PA66 (BLACK)	PHOSPHOR BRONZE
LPC- (n) T9M2 ()	8±0.3	2±0.2	(2.0)	12±0.3	PA66 (BLACK)	PHOSPHOR BRONZE
LPC- (n) T11M2 ()	3±0.3	2±0.2	(14.8)	19.8±0.3	PA66 (BLACK)	PHOSPHOR BRONZE
LPC- (n) T17M2 ()	(1±0.25)	3.4	1.4±0.1	5.8	PBT (BLACK)	PHOSPHOR BRONZE
LPC- (n) T18M2 ()	3±0.3	2±0.2	(1.8)	6.8±0.3	PA66 (BLACK)	BRASS
LPC- (n) T24M2 ()	3±0.3	2±0.2	(6.6)	11.6±0.3	PCT (NATURAL)	PHOSPHOR BRONZE
LPC- (n) T26M2 ()	3±0.3	2±0.2	(7.1)	12.1±0.3	PCT (NATURAL)	PHOSPHOR BRONZE
LPC- (n) T29M2 ()	1.5±0.2	2±0.2	1.5±0.2	—	PCT (NATURAL)	PHOSPHOR BRONZE

LTR.	DATE	BY	REV.	DESCRIPT	No.	PART NAME	MATERIAL	QTY	FINISH	NOTE
△	APR.05.2005	T. O		DELETE P/N	2	CONTACT	SEE TABLE #3	n	SEE TABLE #2	—
△	FEB.19.2001	K. N		REVISE	1	INSULATOR	SEE TABLE #3	1	—	UL94V-0
DATE		SCALE		UNIT		3RD. A. P				
FEB.19 (2001)		5/1		mm (INCH)		HTK HONDA TSUSHIN KOGYO CO., LTD.				
APP. DATE&REV.		DR.	DE.	CHK.	CHK.	APP.	NAME		MALE CONNECTOR	
		T. ODA	T. ODA	—	C. NUNOKAWA	H. EBIHARA	PART NO.		LPC- () () M2 ()	
										REV. 4D