

TABLE 1

n	A	B
2	—	(2)
4	2	4
6	4	6
8	6	8
10	8	10
12	10	12
14	12	14
16	14	16
18	16	18
20	18	20
22	20	22
24	22	24
26	24	26
28	26	28
30	28	30
32	30	32
34	32	34
36	34	36
38	36	38
40	38	40
42	40	42
44	42	44
46	44	46
48	46	48
50	48	50
52	50	52
54	52	54
56	54	56
58	56	58
60	58	60

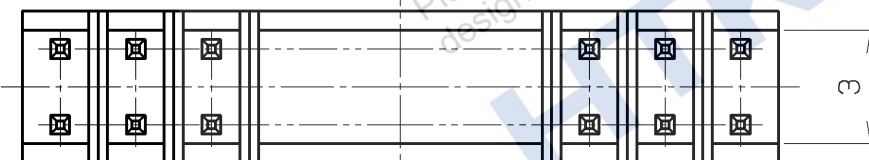
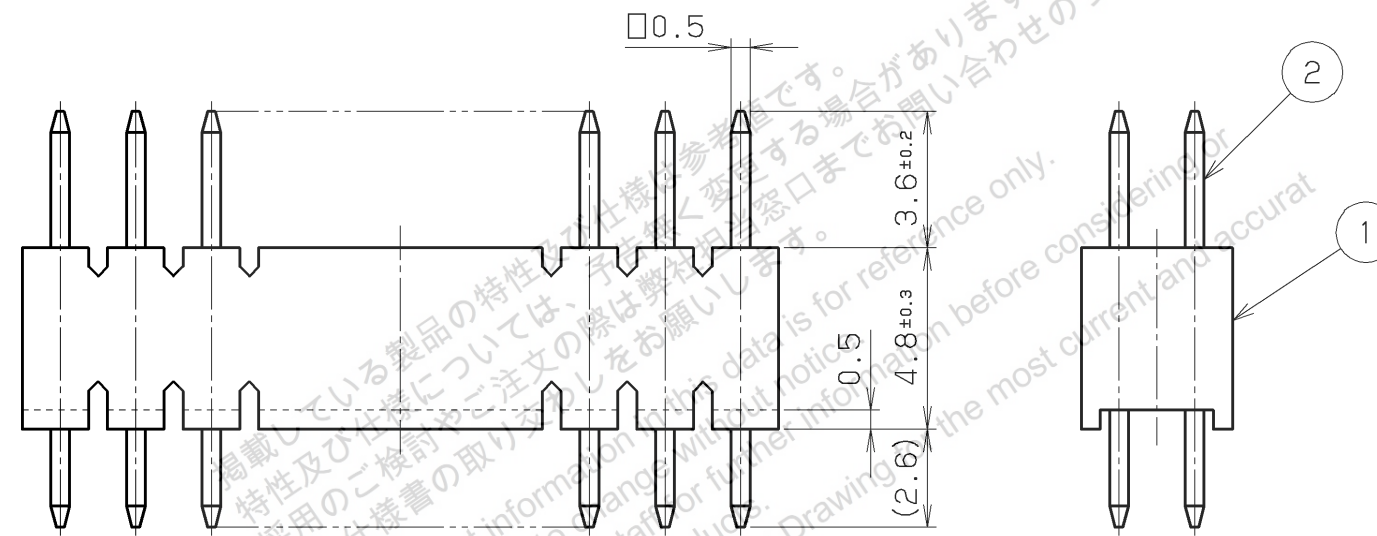
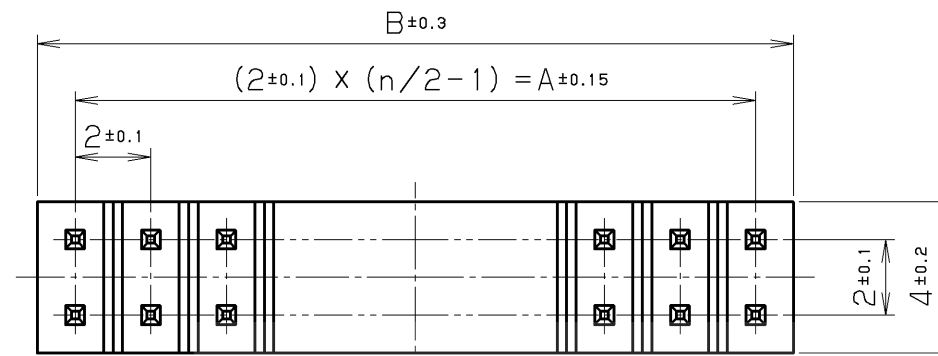


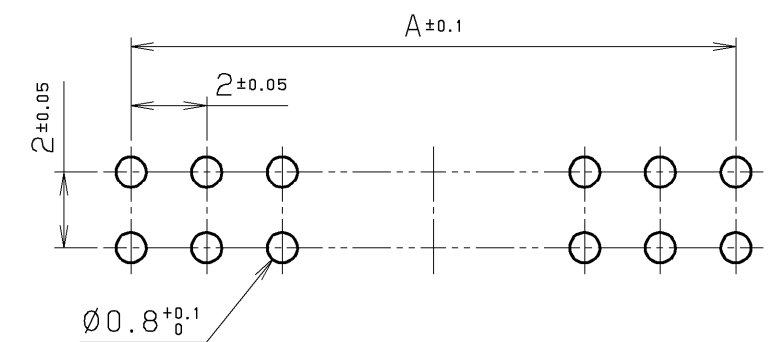
TABLE 2

PART NO.	PLATING
LPC-(n) MD2	TIN/LEAD 2 μm
LPC-(n) MD2G	GOLD 0.2 μm
LPC-(n) MD2G1	GOLD 0.1 μm
LPC-(n) MD2G2	GOLD 0.05 μm

NOTE1. 'n' SHOWS NUMBER OF CONTACTS.

2. AS FOR THE DIMENTION, SEE TABLE #1.

3. THE CONNECTOR CUTS AN INSULATOR AT THE 'B' SIZE PART AND MAKES A CONNECTOR.



RECOMMENDED PCB LAYOUT
PCB THICKNESS

③										
②				2	CONTACT	PHOSPHOR BRONZE	n	SEE TABLE #2	—	
①				1	INSULATOR	NYRON66	1	—	UL94V-0 BLACK	
LTR.	DATE	BY	REV.	DESCRIP	No.	PART NAME	MATERIAL	QTY	FINISH	NOTE
	FEB.16 (2005)									
DATE				SCALE	UNIT	3RD. A. P		HTK HONDA TSUSHIN KOGYO CO., LTD.		
APP. DATE&REV.				5/1	mm (INCH)					
DR.	DE.	CHK.	CHK.	APP.	NAME		MALE CONNECTOR			
T. ODA	T. ODA	—	C. NUNOKAWA	H. EBIHARA	PART NO.		LPC-(n) MD2 ()			
					REV.					