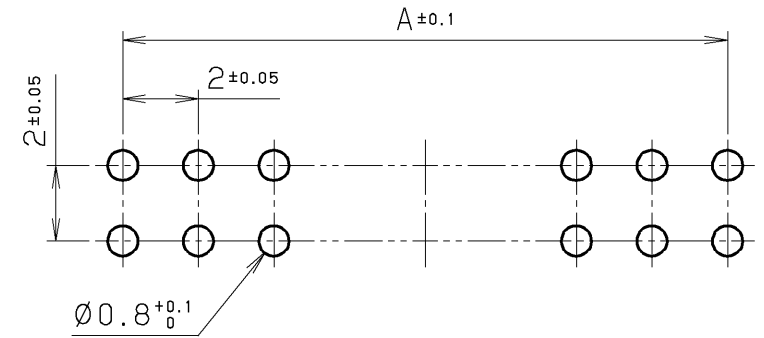
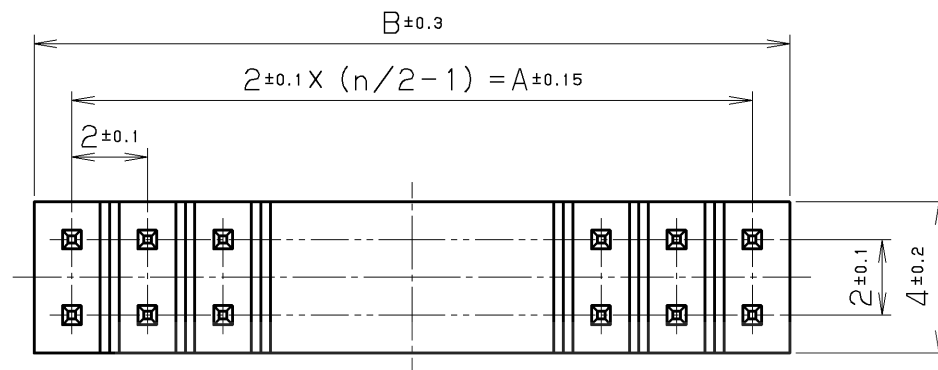
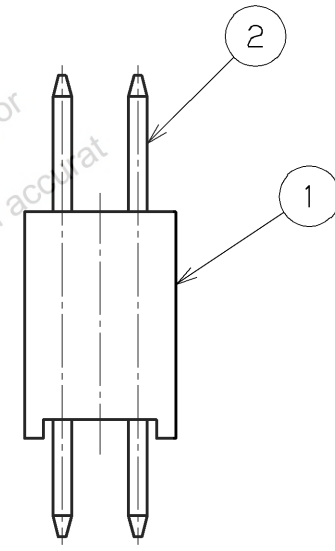
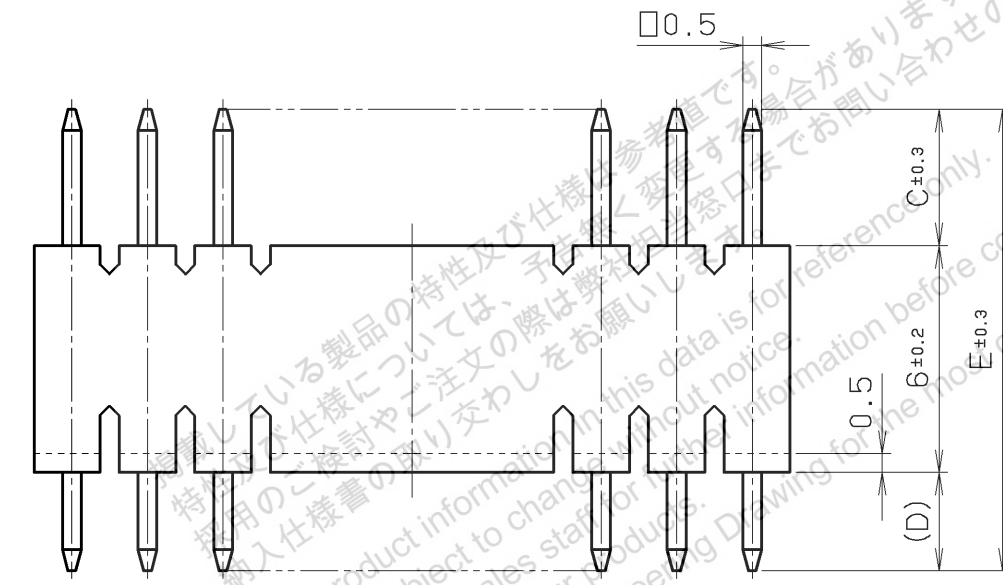


TABLE 1

n	A	B
2	—	(2)
4	2	4
6	4	6
8	6	8
10	8	10
12	10	12
14	12	14
16	14	16
18	16	18
20	18	20
22	20	22
24	22	24
26	24	26
28	26	28
30	28	30
32	30	32
34	32	34
36	34	36
38	36	38
40	38	40
42	40	42
44	42	44
46	44	46
48	46	48
50	48	50
52	50	52
54	52	54
56	54	56
58	56	58
60	58	60



RECOMMENDED PCB LAYOUT



NOTE1. "n" SHOWS NUMBER OF CONTACTS.

2. AS FOR THE DIMENTION, SEE TABLE #1, #2.

3. THE CONNECTOR CUTS AN INSULATOR AT THE "B" SIZE PART AND MAKES A CONNECTOR.

TABLE 2

PART NO.	C	D	E
LPC- (n) MC2 ()	3.6	2.6	12.2
LPC- (n) TMC2 ()	3.8	3.8	13.6

TABLE 3

PART NO.	PLATING
LPC- (n) (T) MC2	TIN/LEAD 2μm
LPC- (n) (T) MC2G	GOLD 0.2μm
LPC- (n) (T) MC2G1	GOLD 0.1μm
LPC- (n) (T) MC2G2	GOLD 0.05μm

LTR.	DATE	BY	REV.	DESCRIPT	No.	PART NAME	MATERIAL	QTY	FINISH	NOTE
3					2	CONTACT	PHOSPHOR BRONZE	n	SEE TABLE #3	—
2					1	INSULATOR	PAG6	1	—	UL94V-0 BLACK
	APR.05.2005	T. ODA		REVISE						
DATE: NOV.05 (1988) SCALE: 5/1 UNIT: mm (INCH) 3RD. A. P						HTK HONDA TSUSHIN KOGYO CO., LTD.				
APP. DATE&REV.						NAME: MALE CONNECTOR				
DR. DE. CHK. CHK. APP.						PART NO. LPC- () () MC2 ()				
T. ODA T. ODA — C. NUNOKAWA H. EBIHARA						REV. 1 A				