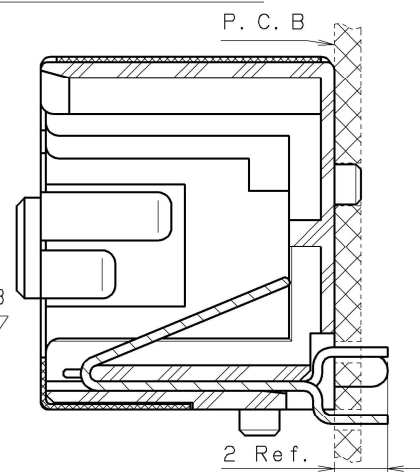
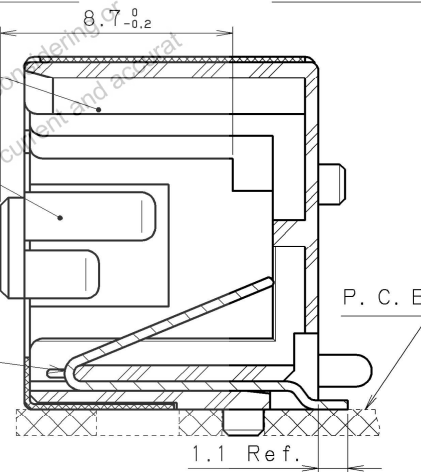
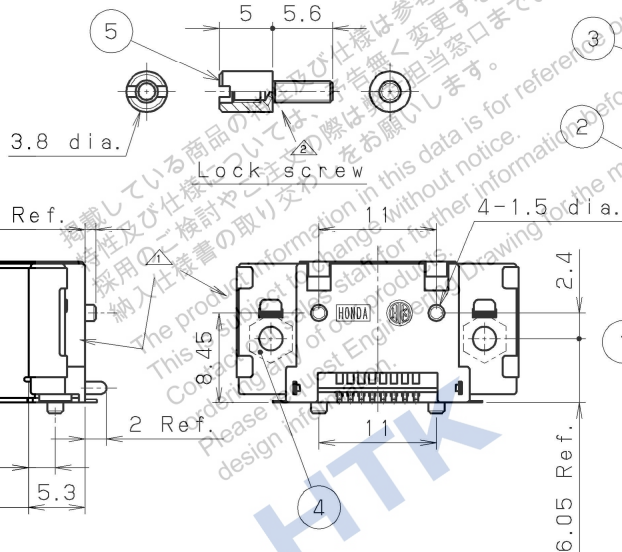
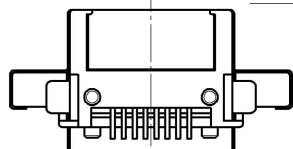
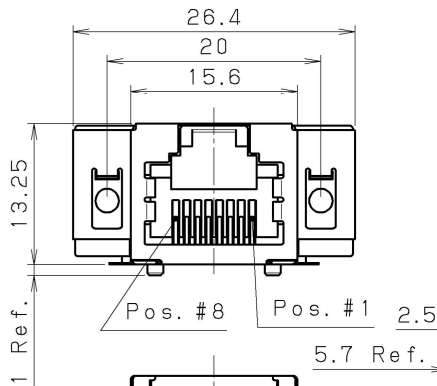
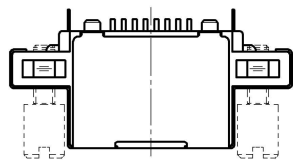
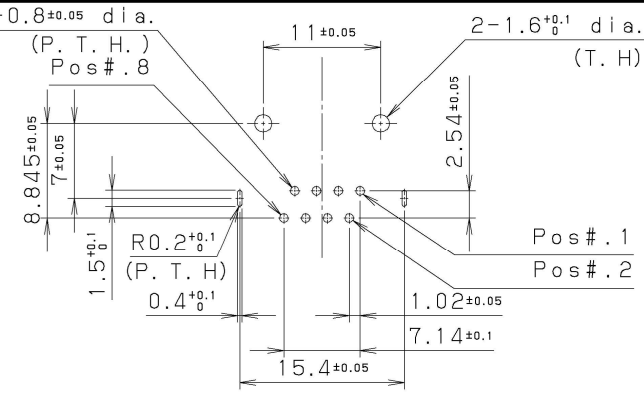
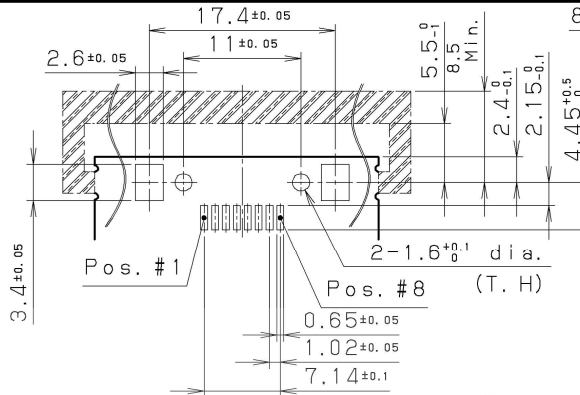


RoHS compliant



- Note
- Contact plating
Contact area: Gold 1.27µm over △
Termination area: Gold (0.05µm)
Underplating: Nickel
 - Mating plug
① MOD-YSP88P03+ △
(for Gigabit-Ethernet plug)
② 8-8 Modular plug

- This drawing shows assembled. However, two lock screws are separately supplied with connector.
- ▨ area indicates support for connector during soldering assembly process. Design to breakaway after assembly.
- Recommended lock screw installation: Tighten lock screw with 0.18N·m torque after loctite is applied onto the thread for the prevention of screw looseness.

5	Lock screw	Steel	2	Nickel plating	
4	HEX. NUT	Steel	2	Nickel plating	
3	Insulator	PA9T (GF)	1		JIS B1181 CLASS 2 M2 UL94V-0 Black
2	Shell	Brass	1	Tin plating	
1	Contact	Phosphor bronze	8	See Note #1	

LTR.	DATE	BY	REV.	DESCRIPT	No.	PART NAME	MATERIAL	QTY	FINISH	NOTE
	Oct.31 2006	Y. O		Change shape						
	Oct.18 2005	Y. O		Change shape						

DATE	SCALE	UNIT	3RD. A. P
May.11.2005	2 / 1	mm (INCH)	

HTK HONDA TSUSHIN KOGYO CO., LTD.

DR.	DE.	CHK.	CHK.	APP.	NAME	Gigabit-Ethernet Jack (RoHS)
Y. OHKI	Y. OHKI	T. SOGO	T. SATO	S. FURUSAWA	PART NO.	MOD-YSJ88 () 03C+ △

REV. 2B