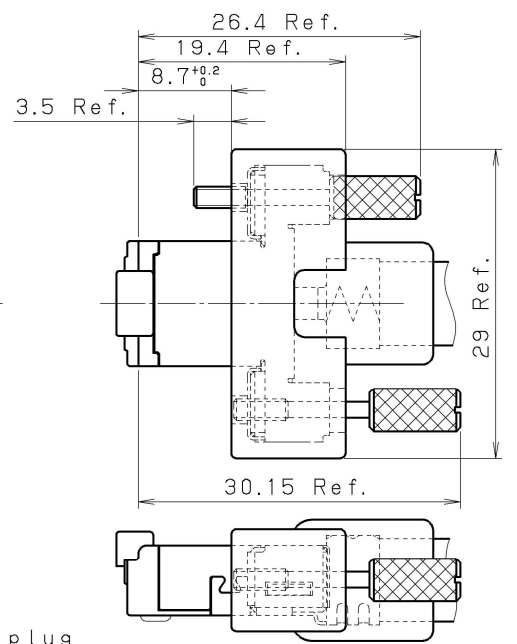
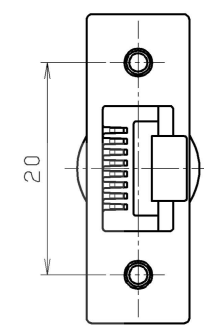


掲載している商品の仕様及び仕様は参考値です。
 特性及び仕様についてご質問や変更する場合があります。
 採用のご検討やご注文は弊社担当窓口までお問い合わせのうえ、
 納入仕様書の取扱いにご注意ください。
 The product information is for reference only.
 This is subject to change without notice.
 Contact our sales department for the most current and accurate
 ordering and pricing information before considering or
 Please refer to the product information for the most current and accurate
 design information.

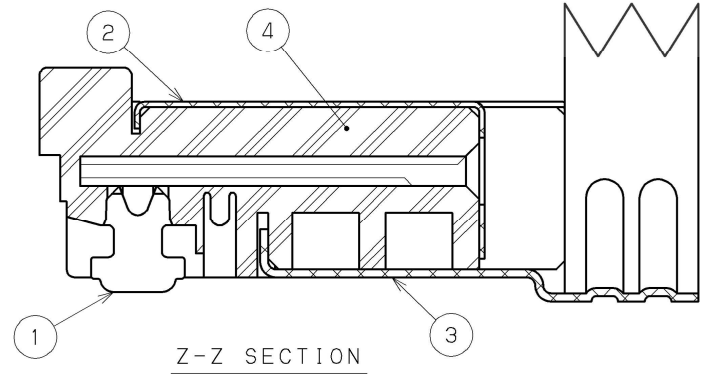
- Note
- Contact plating
 Contact area: Gold 1.27µm over
 Underplating: Nickel
 - Mating Jack
 ▲ MOD-YSJ88YA03C+
 ▲ MOD-YSJ88D03C+
 (for Gigabit-Ethernet Jack)
 - This drawing shows connector itself and shells assembled without overmold.
 For reference see overmold design. Thumb screws are assembled with overmold.



8-8 Modular plug straight type

Overmold design (see note #3)

RoHS compliant



5	Thumb screw	Steel	2	Nickle plating	—
4	Insulator	PC	1	—	UL94V-2 Transparent
3	Shell B	Stainless steel	1	—	—
2	Shell A	Stainless steel	1	—	—
1	Contact	Phosphor bronze	8	See note #1	—

LTR.	DATE	BY	REV.	DESCRIPT	No.	PART NAME	MATERIAL	QTY	FINISH	NOTE
▲	Apr.15 2015	S. W	Deleted design							
▲	Sep.28 2005	Y. O	Change shape							

DATE		SCALE		UNIT		3RD. A. P		HTK HONDA TSUSHIN KOGYO CO., LTD.			
May.11.2005		2 / 1		mm (INCH)							
APP. DATE&REV.								NAME			Gigabit-Ethernet plug (RoHS)
DR.	DE.	CHK.	CHK.	APP.	PART NO.		MOD-YSJ88P03+		REV.		1 A
S. WATANABE	S. WATANABE	K. OOKU	—	Y. KATO							