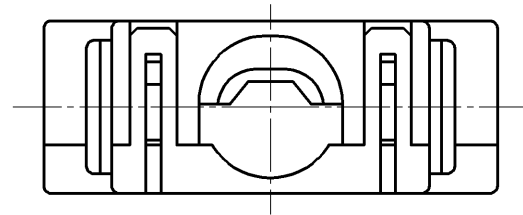
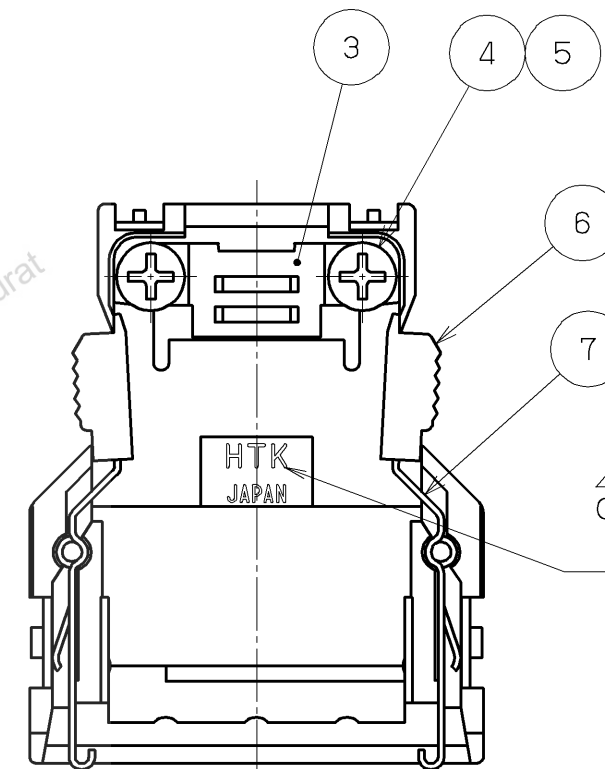
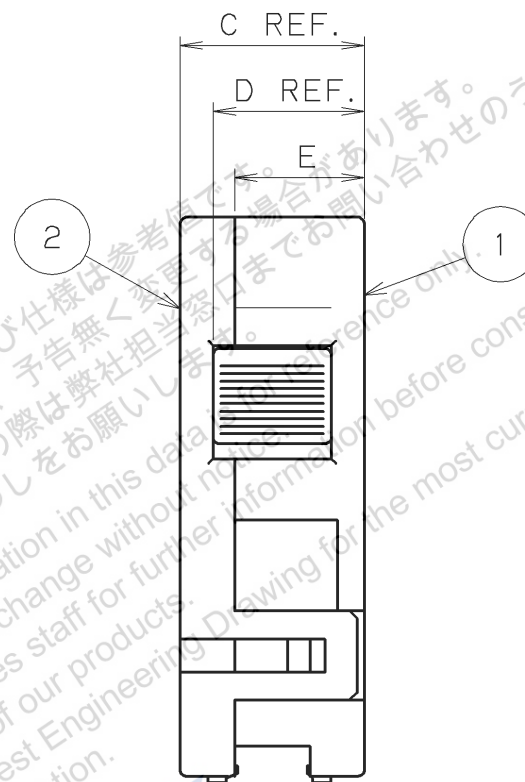
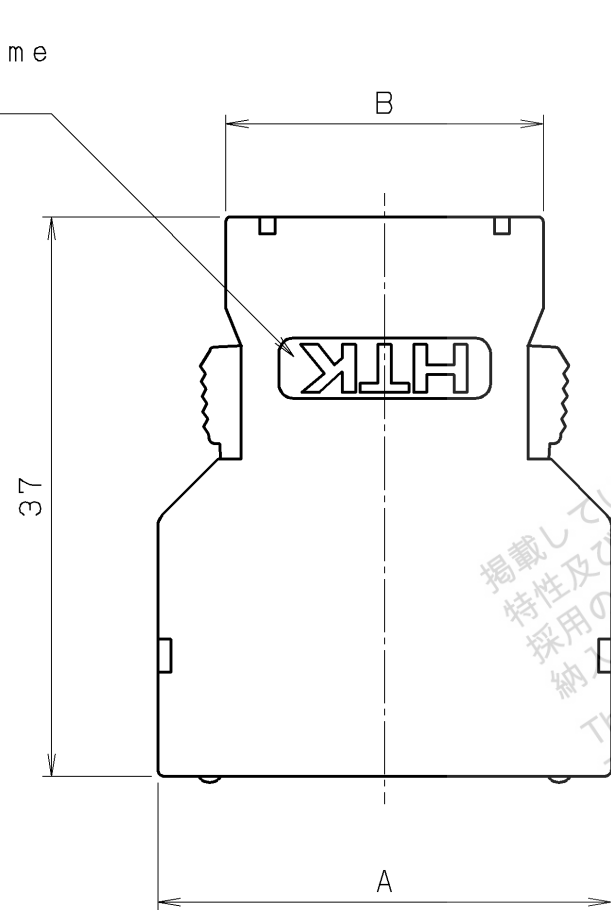


Note.1  
 Applicable connector  
 Part No. : PCR-S ( ) FS+

△ Note.2  
 The company name display changes from "HONDA" to "HTK" as appropriate. Therefore, the company name display may be "HONDA" or "HTK".



△ Company name  
 (Note.2)



△ Company name  
 (Note.2)

Inside of cable cover

Part No.	No. of Pos.	Dimensions					Applicable Cable
		A	B	C	D	E	
PCR-S20LA	20	30	21	12.2	10	8.6	Jacket O. D. 8.5 DIA. Max.

7	Lock	Stainless Steel	2	---	---
6	Cap	P. C (GF)	2	---	UL94V-0 Gray
5	Insert screw	Steel	2	Nickel plating	---
4	Screw	Steel	2	Nickel plating	Append
3	Clamp	Stainless Steel	1	---	Append
2	Cover B	P. C (GF)	1	---	UL94V-0 Gray
1	Cover A	P. C (GF)	1	---	UL94V-0 Gray

△	DATE	BY	REV.	DESCRIPT	No.	PART NAME	MATERIAL	QTY	FINISH	NOTE
△	MAY 24 2019	T. MASUNO		Logo change						
△	OCT 23 2003	T. KAWANO		Append add.						
△	JUL 11 2001	N. TACKA		REVISE (CAD)						

LTR.	DATE	BY	REV.	DESCRIPT	No.	PART NAME	MATERIAL	QTY	FINISH	NOTE
DATE		SCALE		UNIT		3RD. A. P				
NOV. 26. 1991		2 / 1		mm (INCH)						
APP. DATE & REV.										
DR.	DE.	CHK.	CHK.	APP.	NAME		PCR-S TYPE CABLE COVER			
T. MASUNO	S. MURAKAMI	---	Y. KATO	Y. KATO	PART NO.		PCR-S ( ) LA			
							REV.		3D	