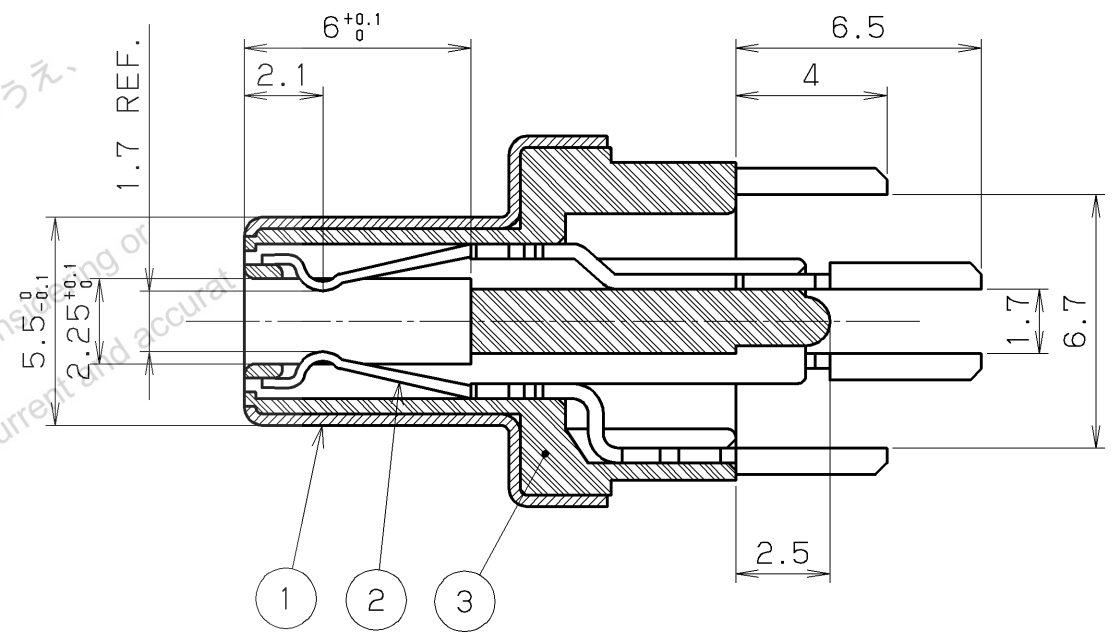
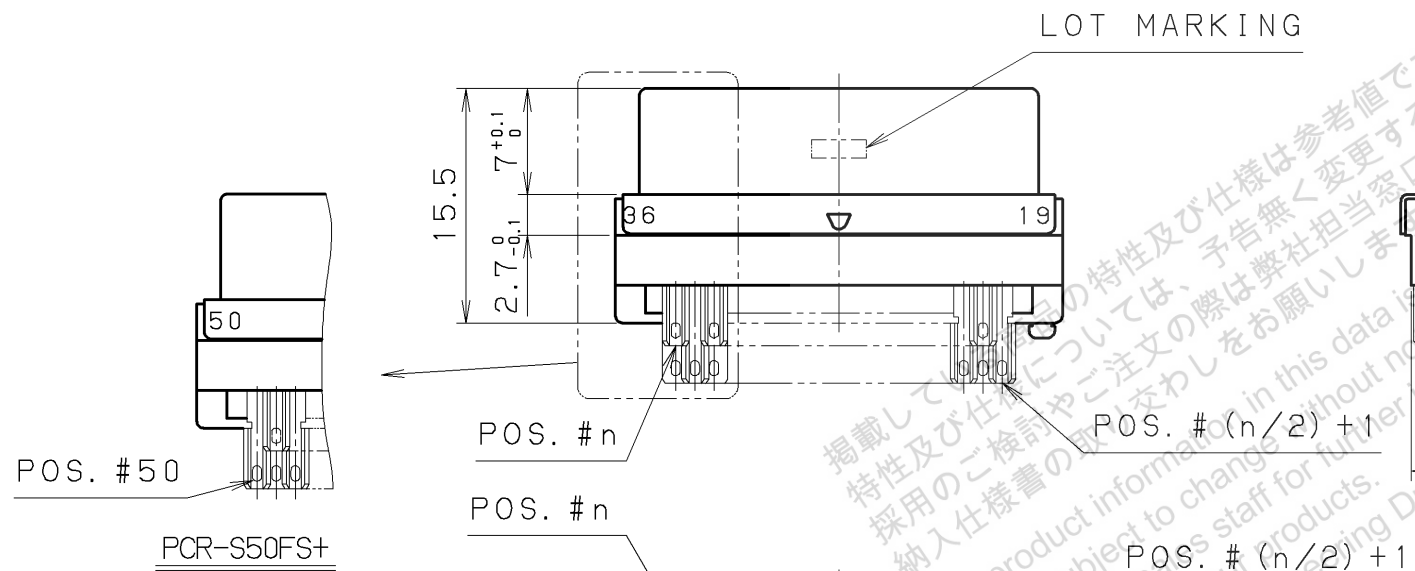
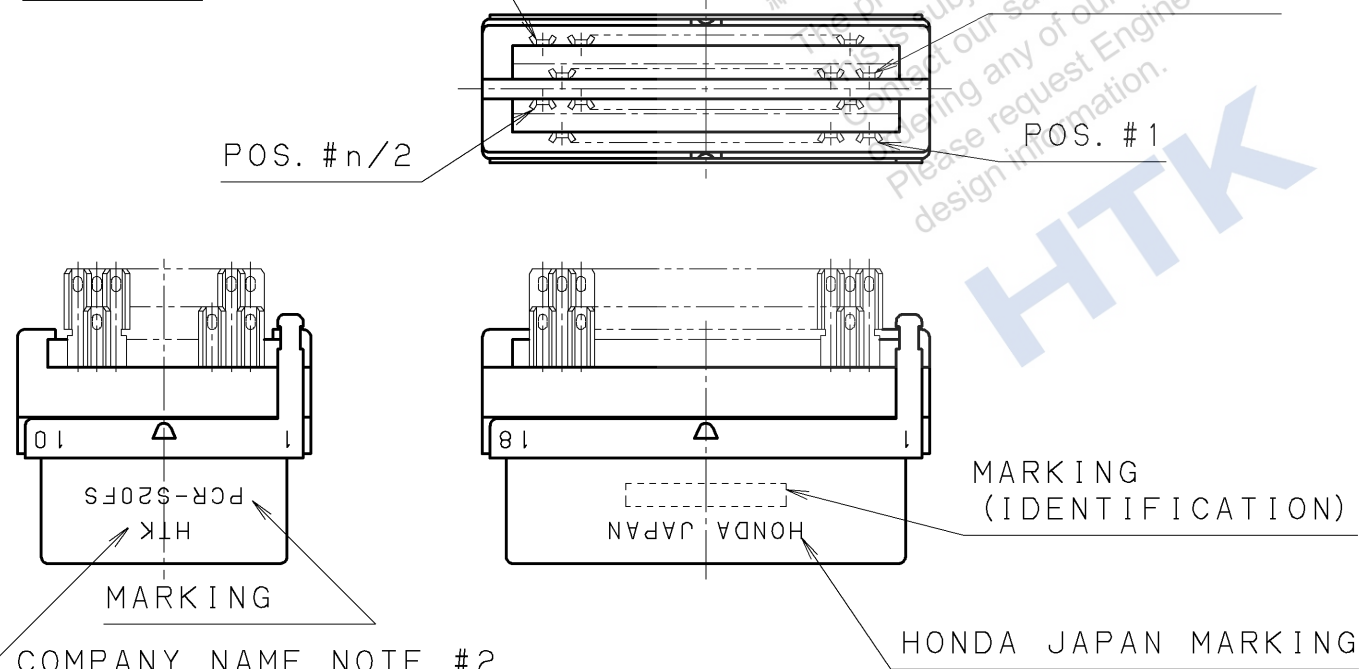


PART No.	n	A	B	C	D	IDENTIFICATION MARKING
PCR-S20FS+	20	19.40	13.35	1.27×9=11.43	16.25	PCR-S20FS
PCR-S28FS+	28	24.48	18.43	1.27×13=16.51	21.33	PCR-S28FS
PCR-S36FS+	36	29.56	23.51	1.27×17=21.59	26.41	PCR-S36FS
PCR-S50FS+	50	38.45	32.40	1.27×24=30.48	35.30	PCR-S50FS
PCR-S80FS+	80	57.50	51.45	1.27×39=49.53	54.35	PCR-S80FS



CONTACT DETAIL (5/1)



NOTE #1. Contact plating  
 Contact area: GOLD 0.2μm MIN.  
 Terminatin area: GOLD  
 Underplating: NICKEL

△ NOTE #2. Only the company name display of PCR-S20FS+ changes from "HONDA JAPAN" to "HTK" as appropriate. Therefore, the company name display may be "HONDA JAPAN" or "HTK".

△				3	INSULATOR	PPS	1	—	UL94V-0 BLACK
△				2	CONTACT	PHOSPHOR BRONZE	n	SEE NOTE #1	—
△	Jun. 04 2019	T. M	ADD NOTE #2	1	SHELL	STEEL	1	NICKEL	—

LTR.	DATE	BY	REV.	DESCRPT	No.	PART NAME	MATERIAL	QTY	FINISH	NOTE
------	------	----	------	---------	-----	-----------	----------	-----	--------	------

DATE		SCALE		UNIT		3RD. A. P		<b>HTK</b> HONDA TSUSHIN KOGYO CO., LTD.			
MAR. 31. 2004		2 / 1		mm (INCH)							
APP. DATE&REV.		DR.		DE.		CHK.		CHK.		APP.	
		加藤		村		—		加藤		加藤	
NAME		1.27mm SPACING		(RoHS)		FEMALE CONNECTOR FOR SOLDER TYPE		PART NO.		PCR-S ( ) FS+	
REV.		1 A									

RoHS COMPLIANT