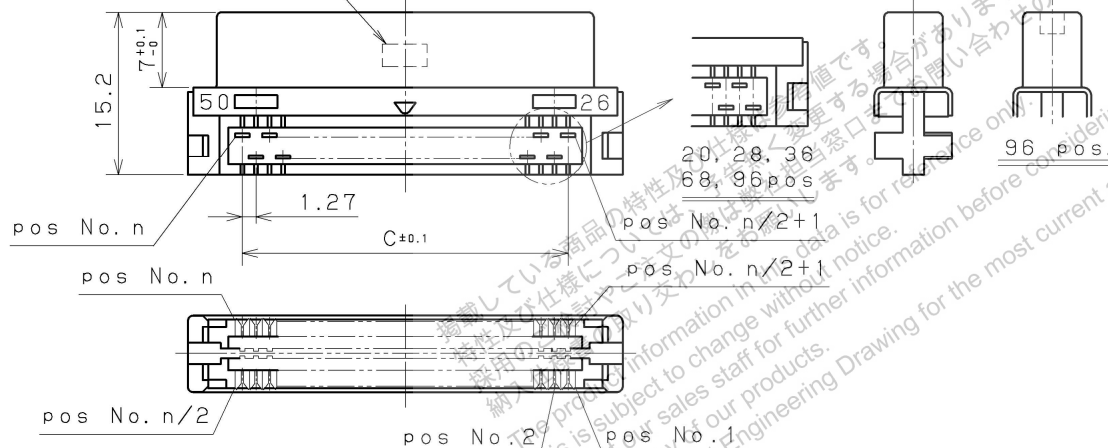


X-X SECTION (5/1)



Discrete Wire Housing

Cohesion Cable Housing

PCR-E () FN+	# 26AWG (1/0.4) Discrete Wire Housing 0.8~0.1.0	FN: 50 pos. only
PCR-E () FK+	# 30AWG (7/0.1) Discrete Wire Housing 0.65~0.8	
PCR-E () FJ+	# 28AWG (7/0.127) # 30AWG (1/0.254) Discrete Wire Housing 0.65~0.8	
PCR-E () FH+	# 32AWG (7/0.08) Discrete Wire Housing 0.35~0.5	FH: 68 pos. only
PCR-E () FD+	# 30AWG (7/0.1) Cohesion Cable	
PCR-E () FC+	# 28AWG (7/0.127) # 30AWG (1/0.254) Cohesion Cable	
PCR-E () FB+	# 30AWG (7/0.1) Discrete Wire Housing 0.5~0.65	
PCR-E () FA+	# 28AWG (7/0.127) # 30AWG (1/0.254) Discrete Wire Housing 0.5~0.65	
PCR-E () F+	# 28AWG (7/0.127) # 30AWG (1/0.254) Discrete Wire Housing 0.8~0.1.0	
PART No.	Applicable Wire Size	

PCR-E96F () +	96	69.9	61.61	1.27x (48-1) = 59.69	64.51	1, 48, 49, 96
PCR-E80F () +	80	59.7	51.45	1.27x (40-1) = 49.53	54.35	1, 40, 41, 80
PCR-E68F () +	68	52.1	43.83	1.27x (34-1) = 41.91	46.73	1, 34, 35, 68
PCR-E50F () +	50	40.7	32.4	1.27x (25-1) = 30.48	35.3	1, 25, 26, 50
PCR-E36F () +	36	31.8	23.51	1.27x (18-1) = 21.59	26.41	1, 18, 19, 36
PCR-E28F () +	28	26.7	18.43	1.27x (14-1) = 16.51	21.33	1, 14, 15, 28
PCR-E20F () +	20	21.65	13.35	1.27x (10-1) = 11.43	16.25	1, 13, 14, 20
PART. No.	No. OF Pos.	A	B	C	D	CONTACT Pos. # MARKING

5	CABLE HOUSING	PBT (GF)	2	—	UL94V-0 BLACK
4	SPEACER	PBT (GF)	2	—	UL94V-0 BLACK
3	SHELL	STEEL	1	NICKEL PLATED	—
2	INSULATOR	PBT (GF)	1	—	UL94V-0 BLACK
1	CONTACT	PHOSPHOR BRONZE	No. OF POS.	SEE NOTE 1	—

改版 LTR	年月日 DATE	変更者 BY	変更内容 REV. DESCRIPT	番号 No.	部品名称 PART NAME	材質 MATERIAL	数量 QTY	処理 FINISH	備考 NOTE
	年月日 DATE	尺度 SCALE	単位 UNIT	3角法 3RD. A. P	本多通信工業株式会社 HONDA TSUSHIN KOGYO CO., LTD.				
DR.	DE.	CHK.	CHK.	APP.	名称 NAME	1.27mm SPACING PCR-E TYPE IDC FEMALE CONNCTOR (RoHS)			
T. KAWANO	T. KAWANO	T. SOGO	K. HOMMA	S. FURUSAWA	製番 PART NO.	PCR-E () F () +			