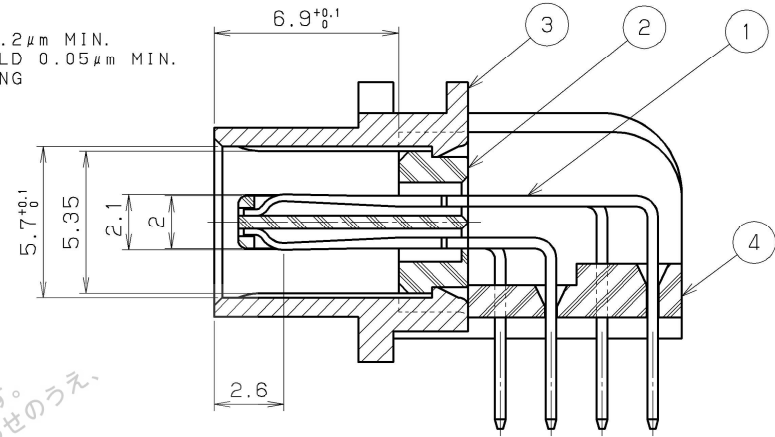
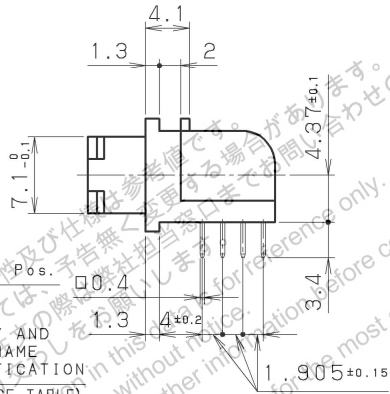
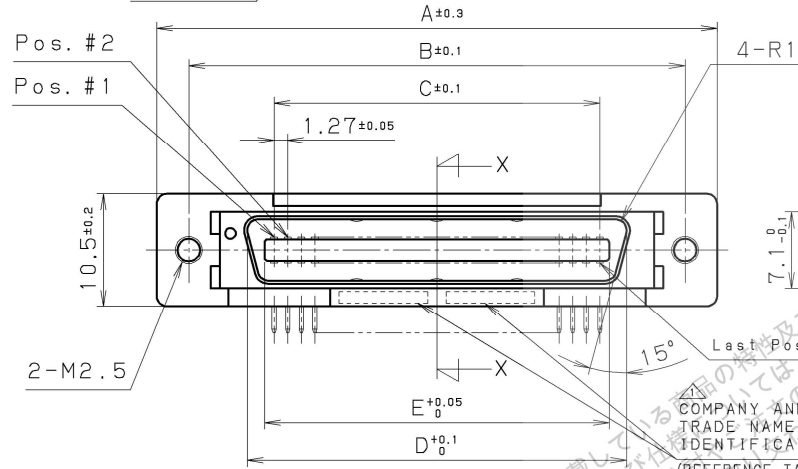


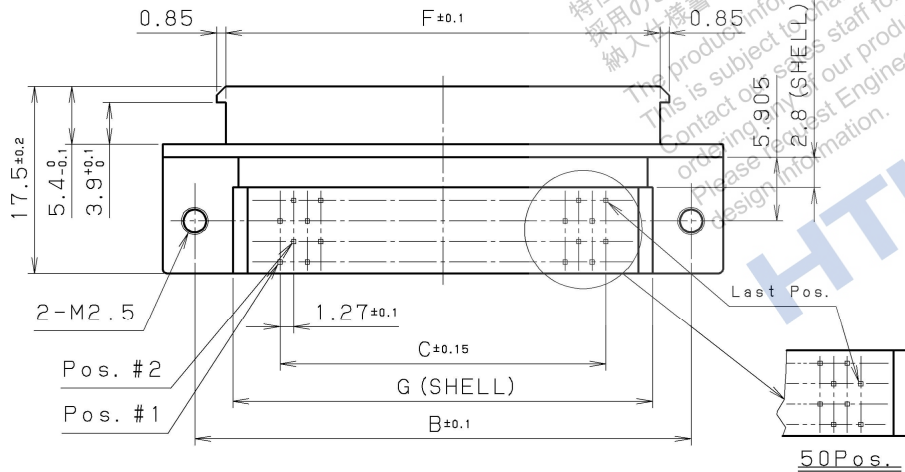
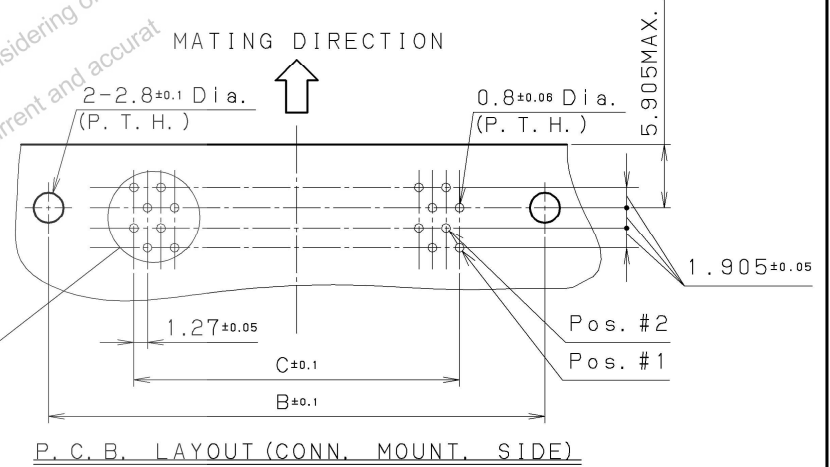
NOTE 1. CONTACT PLATING  
 CONTACT AREA : GOLD 0.2 $\mu$ m MIN.  
 TERMINATION AREA : GOLD 0.05 $\mu$ m MIN.  
 ALL OVER NICKEL PLATING

MARKING



X-X SECTIONS (5/1)

MATING DIRECTION



COMPANY AND TRADE NAME IDENTIFICATION (REFERENCE TABLE)

RoHS compliant

Nov. 07 2014	K. T	ERROR	4	BRACKET	PBT (GF)	1	—	UL94V-0 BLACK
Mar. 25 2011	Y. A	CHANGE IDENTIFICATION	3	SHELL	ZINC DIE CASTING	1	Cu+Ni	—
Oct. 13 2010	Y. A	CHANGE IDENTIFICATION	2	INSULATOR	PBT (GF)	1	—	UL94V-0 BLACK
Jun. 10 2010	Y. A	CHANGE IDENTIFICATION	1	CONTACT	PHOSPHOR BRONZE	No. of Pos.	SEE NOTE 1	—

LTR.	DATE	BY	REV. DESCRIPT	No.	PART NAME	MATERIAL	QTY	FINISH	NOTE
------	------	----	---------------	-----	-----------	----------	-----	--------	------

DATE		SCALE		UNIT		3RD. A. P		<b>HTK</b> HONDA TSUSHIN KOGYO CO., LTD.	
May. 21 (2001)		2/1		mm (INCH)					
APP. DATE&REV.									
DR.	DE.	CHK.	CHK.	APP.	NAME	1.27mm SPACING PCR-E TYPE R/A DIP MALE CONNECTOR (RoHS)			
K. TASHIRO	K. TASHIRO	S. WATANABE	—	Y. KATO	PART NO.	PCR-E ( ) LMD+			REV. 4D

No. of Pos.	PART NO.	A	B	C	D	E	F	G	COMPANY AND TRADE NAME IDENTIFICATION
96	PCR-E96LMD+	81.66	75.66	1.27x47=59.69	64.71	61.46	69.86	68.49	HONDA PCR-E96LMD
68	PCR-E68LMD+	63.88	57.88	1.27x33=41.91	46.93	43.68	52.08	50.71	HONDA PCR-E68LMD
50	PCR-E50LMD+	52.45	46.45	1.27x24=30.48	35.50	32.25	40.65	39.28	HONDA PCR-E50LMD
36	PCR-E36LMD+	43.56	37.56	1.27x17=21.59	26.61	23.36	31.76	30.39	HTK PCR-E36LMD
28	PCR-E28LMD+	38.48	32.48	1.27x13=16.51	21.53	18.28	26.68	25.31	HTK PCR-E28LMD
20	PCR-E20LMD+	33.40	27.40	1.27x 9=11.43	16.45	13.20	21.60	20.23	HTK PCR-E20LMD