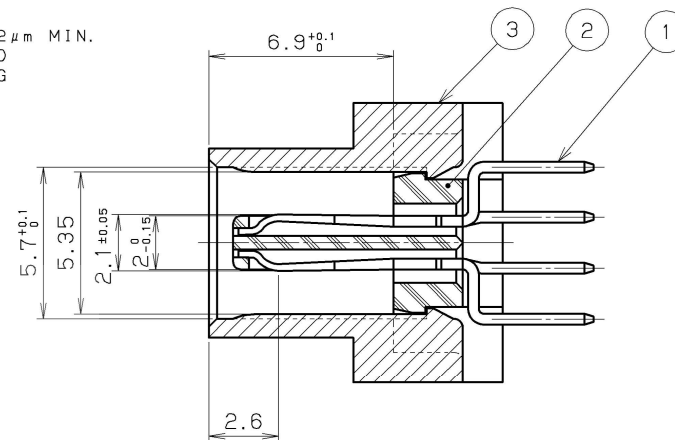
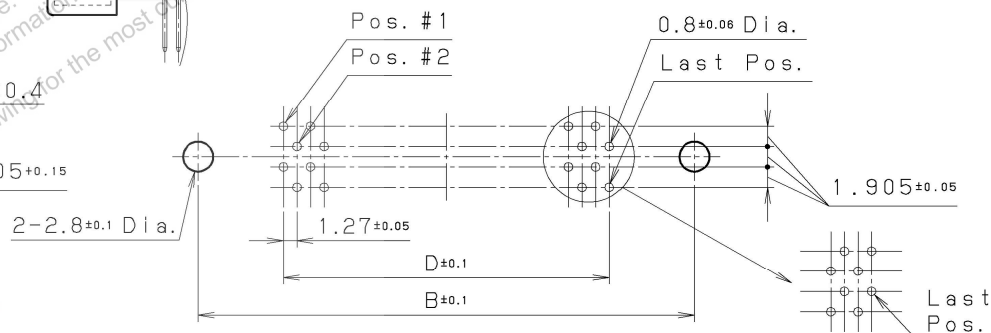
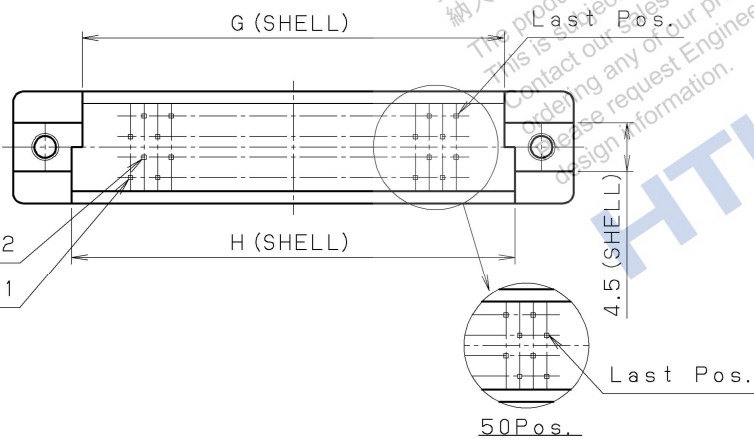
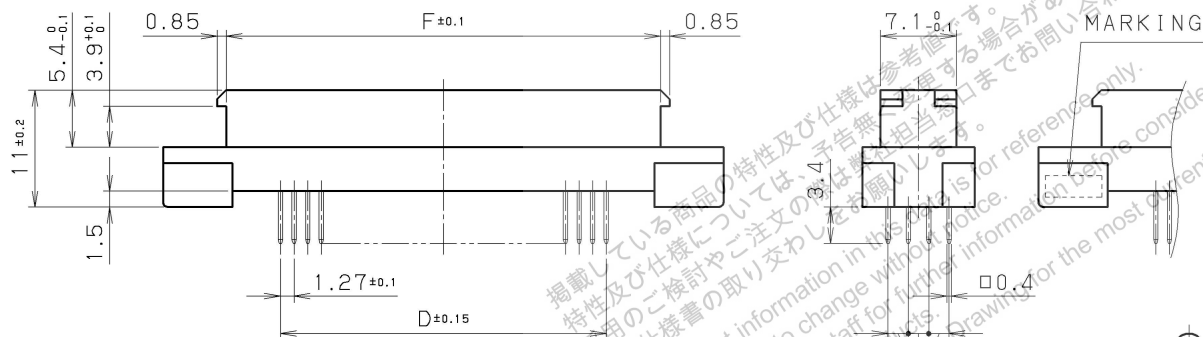


NOTE 1. CONTACT PLATING
 CONTACT AREA : GOLD 0.2μm MIN.
 TERMINATION AREA : GOLD
 ALL OVER NICKEL PLATING



X-X SECTION (5/1)



RECOMMENDED P.C.B. LAYOUT (CONNECTOR SIDE)
 P.C.B. THICKNESS: 1.6mm

RoHS compliant

| | | | | | | | | |
|-------------|------|-----------------------|---|-----------|------------------|-------------|---------------------------|--|
| APR.03 2012 | K. E | CHANGE IDENTIFICATION | 3 | SHELL | ZINC DIE CASTING | 1 | NICKEL PLATED OVER COPPER | |
| Aug.23 2011 | Y. A | CHANGE IDENTIFICATION | 2 | INSULATOR | PBT (GF) | 1 | UL94V-0 BLACK | |
| Jan.13 2011 | Y. A | CHANGE IDENTIFICATION | 1 | CONTACT | PHOSPHOR BRONZE | No. of Pos. | SEE NOTE 1 | |

| LTR. | DATE | BY | REV. | DESCRIPT | No. | PART NAME | MATERIAL | QTY | FINISH | NOTE |
|---------|----------------|----------|-------------|-----------|-------------------------------|--|----------|-----|--------|------|
| | DATE | SCALE | UNIT | | | | | | | |
| | Mar. 31 (2004) | 2/1 | mm (INCH) | 3RD. A. P | HONDA TSUSHIN KOGYO CO., LTD. | | | | | |
| | APP. DATE&REV. | | | | | | | | | |
| DR. | DE. | CHK. | CHK. | APP. | NAME | 1.27mm SPACING PCR-E TYPE STRAIGHT DIP MALE CONNECTOR (RoHS) | | | | |
| K. ENDO | K. ENDO | S. IJIMA | S. WATANABE | Y. KATO | PART NO. | PCR-E () MD+ | REV. 3C | | | |

| No. of Pos. | Part No. | A | B | C | D | E | F | G | H | COMPANY AND TRADE NAME IDENTIFICATION |
|-------------|------------|-------|-------|-------|---------------|-------|-------|-------|-------|---------------------------------------|
| 96 | PCR-E96MD+ | 81.66 | 75.66 | 61.46 | 1.27x47=59.69 | 64.71 | 69.86 | 68.69 | 70.69 | HONDA PCR-E96MD |
| 80 | PCR-E80MD+ | 71.50 | 65.50 | 51.30 | 1.27x39=49.53 | 54.55 | 59.70 | 58.53 | 60.53 | HONDA PCR-E80MD |
| 68 | PCR-E68MD+ | 63.88 | 57.88 | 43.68 | 1.27x33=41.91 | 46.93 | 52.08 | 50.91 | 52.91 | HONDA PCR-E68MD |
| 50 | PCR-E50MD+ | 52.45 | 46.45 | 32.25 | 1.27x24=30.48 | 35.50 | 40.65 | 39.48 | 41.48 | HTK PCR-E50MD |
| 36 | PCR-E36MD+ | 43.56 | 37.56 | 23.36 | 1.27x17=21.59 | 26.61 | 31.76 | 30.59 | 32.59 | HONDA PCR-E36MD |
| 28 | PCR-E28MD+ | 38.48 | 32.48 | 18.28 | 1.27x13=16.51 | 21.53 | 26.68 | 25.51 | 27.51 | HTK PCR-E28MD |
| 20 | PCR-E20MD+ | 33.40 | 27.40 | 13.20 | 1.27x9=11.43 | 16.45 | 21.60 | 20.43 | 22.43 | HTK PCR-E20MD |