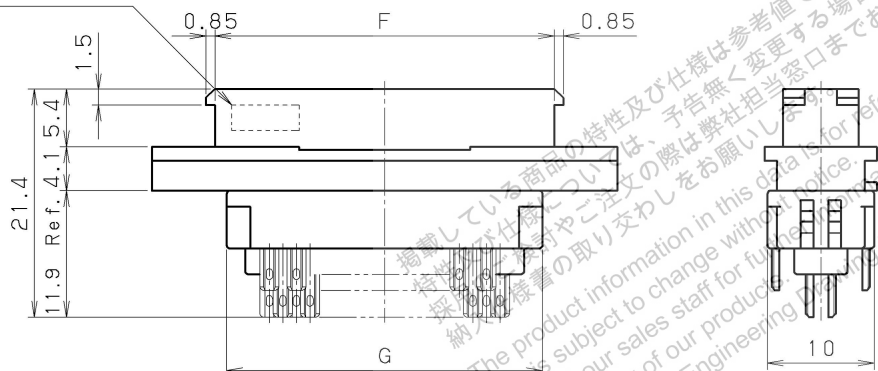
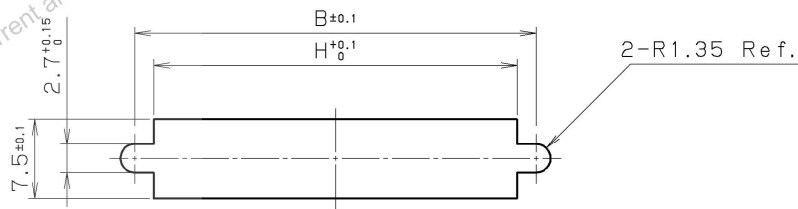


Date code marking

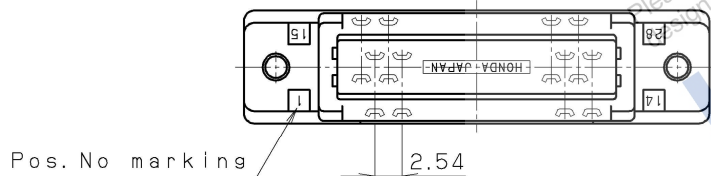


X-X' Section (S=5/1)



Panel cut dimension (Reference)

Note 1. Contact plating
 Contact area: Gold 0.2µm Min.
 Termination area: Gold
 Underplating: Nickel



RoHS compliant

4	Insulator B	PPS (GF)	1		UL94V-0 Black
3	Insulator A	PPS (GF)	1		UL94V-0 Black
2	Shell	Zinc alloy	1	Nickel plating	
1	Contact	Phosphor bronze	No. of Pos.	See Note #1	

LTR.	DATE	BY	REV.	DESCRIPT	No.	PART NAME	MATERIAL	QTY	FINISH	NOTE		
	NOV 07 2011	K. E	DELETED 36 AND 50 POS									
DATE 18, Aug 2005						SCALE 2/1	UNIT mm (INCH)	3RD. A. P	HONDA TSUSHIN KOGYO CO., LTD.			
APP. DATE&REV.						DR.	DE.	CHK.	CHK.	APP.	NAME	1.27mm Spacing male connector with solder type (RoHS)
						K. ENDO	K. ENDO	S. IJIMA	M. KASHIHARA	M. EBIHARA	PART NO.	PCR-E () PMRS+
											REV. 1A	

Table 1

Part No.	A	B	C	D	E	F	G	H	No. of Pos.	Pos. No. marking (4 Plcs)	Identification
PCR-E20PMRS+	33.40	27.40	13.20	11.43	16.45	21.60	19.40	23.80	20	1, 10, 11, 20	PCR-E20PM
PCR-E28PMRS+	38.48	32.48	18.28	16.51	21.53	26.68	24.45	28.88	28	1, 14, 15, 28	PCR-E28PM