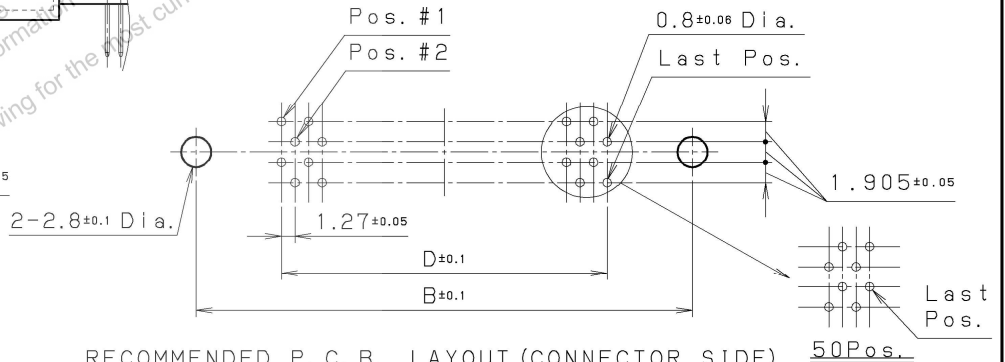
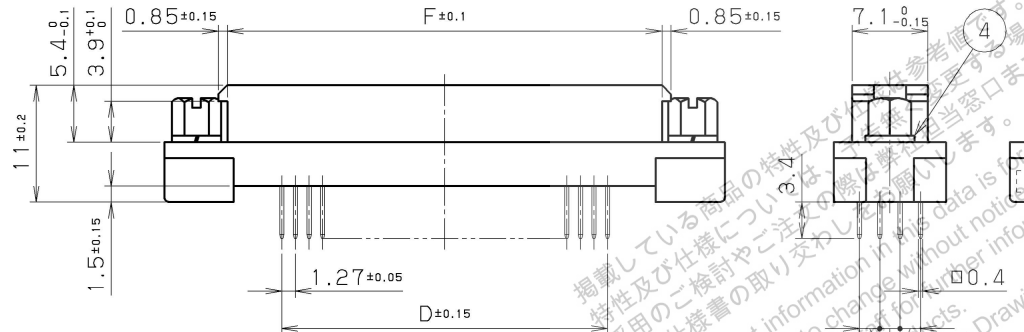
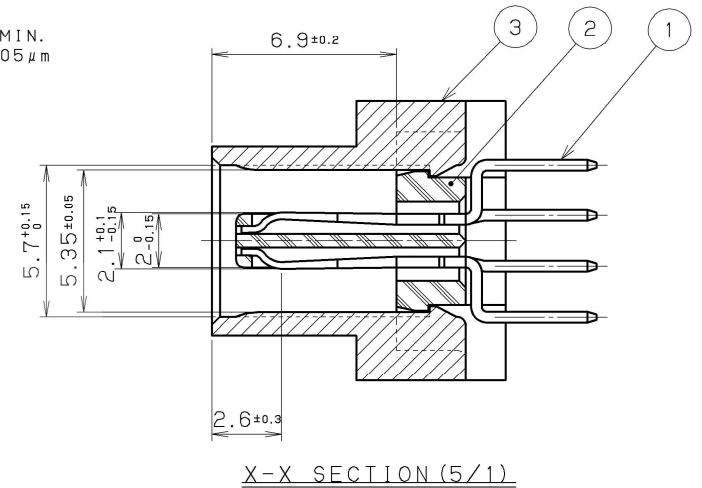
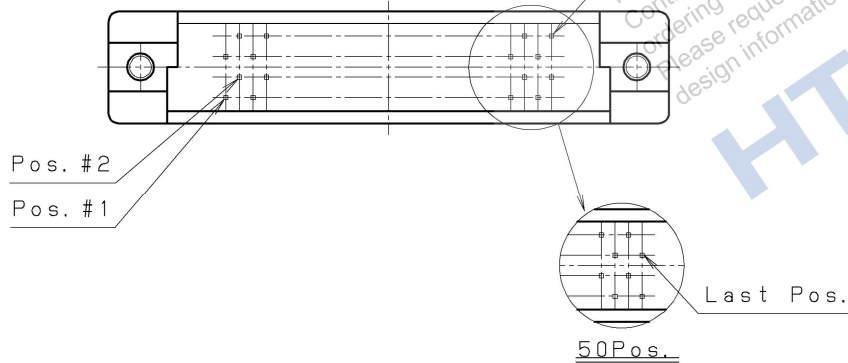


NOTE 1.FINISH
 CONTACT AREA : GOLD 0.2μm MIN.
 TERMINATION AREA : GOLD 0.05μm
 ALL OVER NICKEL PLATING



P.C.B. THICKNESS : 1.6mm



RoHS compliant

5	SCREW LOCK	STEEL	2	NICKEL PLATED	
4	SPRING WASHER	STEEL	2	NICKEL PLATED	
3	SHELL	ZINC DIE CASTING	1	NICKEL PLATED OVER COPPER	
2	INSULATOR	PBT (GF)	1		UL94V-0 BLACK
1	CONTACT	PHOSPHOR BRONZE	No. of Pos.	SEE NOTE 1	

LTR.	DATE	BY	REV.	DESCRIPT	No.	PART NAME	MATERIAL	QTY	FINISH	NOTE
	DATE		SCALE		UNIT					
	May.21 (2004)		2/1		mm (INCH)	3RD. A. P	HONDA TSUSHIN KOGYO CO., LTD.			
APP. DATE&REV.										
DR.	DE.	CHK.	CHK.	APP.	NAME		1.27mm SPACING PCR-E TYPE STRAIGHT DIP MALE CONNECTOR (RoHS)			
K.ENDO	K.ENDO	S.IIJIMA	S.WATANABE	Y.KATO	PART NO.	PCR-E () MD-SL+	REV.		3C	

No. of Pos.	PART NO.	A	B	C	D	E	F	COMPANY AND TRADE NAME IDENTIFICATION
50	PCR-E50MD-SL+	52.45	46.45	32.25	1.27x24=30.48	35.50	40.65	HTK PCR-E50MD
36	PCR-E36MD-SL+	43.56	37.56	23.36	1.27x17=21.59	26.61	31.76	HONDA PCR-E36MD
28	PCR-E28MD-SL+	38.48	32.48	18.28	1.27x13=16.51	21.53	26.68	HTK PCR-E28MD
20	PCR-E20MD-SL+	33.40	27.40	13.20	1.27x 9=11.43	16.45	21.60	HTK PCR-E20MD