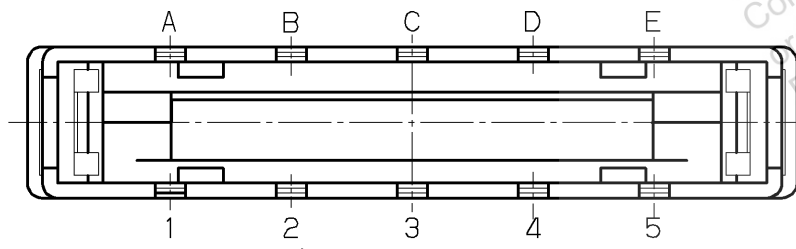
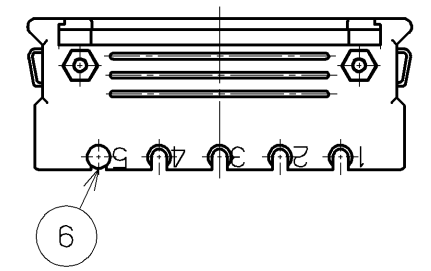
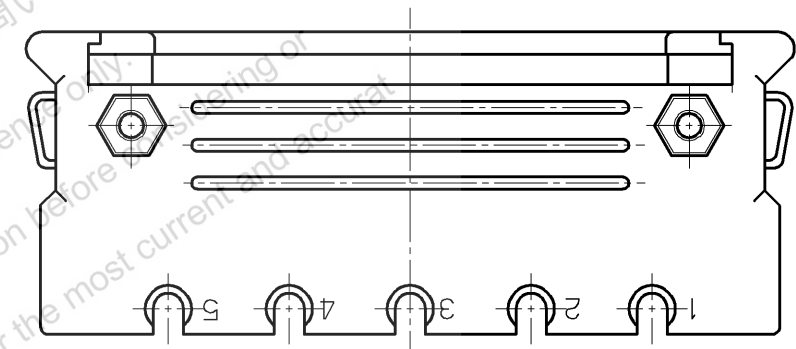


PART NO.	NO. OF POS.	DIMENSIONS			STANDARD KEY POSITIONS (4 TYPES)
		A	B	C	
PCS-E20LTP-( )+	20	13.1	32.0	30.0	1B, 1C, 2A, 3A
PCS-E28LTP-( )+	28	18.3	37.0	35.0	1D, 2C, 3B, 4A
PCS-E36LTP-( )+	36	23.4	42.2	40.2	1D, 2C, 3B, 4A
PCS-E50LTP-( )+	50	32.2	50.9	48.9	1E, 2D, 4B, 5A
PCS-E68LTP-( )+	68	43.5	62.3	60.3	1E, 2D, 4B, 5A

RoHS COMPLIANT



PART NO.

1. WITH KEYING

THE UNDERLINED SECTION AT THE END OF PART NUMBER IS FILLED WITH 4 KINDS OF THE STANDARD KEY POSITION CODES.

EXAMPLE: PCS-E (No. OF POS.) LTP-5A+

2. WITHOUT KEYING

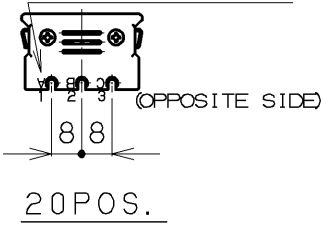
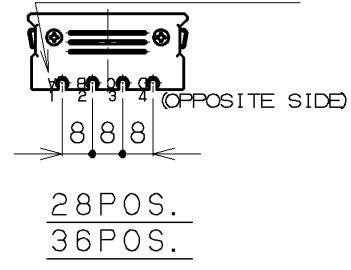
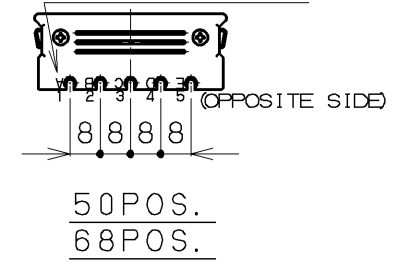
PCS-E (No. OF POS.) LTP+

KEY POS. NO.

KEY POS. NO.

KEY POS. NO.

KEY POS. NO.



6	KEY RIVET	BRASS	(2)	NICKEL PLATING	P/N: PCS-E-PK
5	HEXAGON NUT	STEEL	2	NICKEL PLATING	M2
4	ΦPAN HEAD SCREW	STEEL	2	NICKEL PLATING	M2X8
3	SPRING LOCK	STAINLESS STEEL	2	—	—
2	COVER A	ABS	1	—	UL94V-0 BLACK
1	COVER B	ABS	1	—	UL94V-0 BLACK

△									
△									
△									

LTR.	DATE	BY	REV.	DESCRIPT	No.	PART NAME	MATERIAL	QTY	FINISH	NOTE
	MAY. 12 (2005)									
DATE						SCALE	UNIT	3RD. A. P		
APP. DATE&REV.								HONDA TSUSHIN KOGYO CO., LTD.		
DR.	DE.	CHK.	CHK.	APP.	NAME		PCS-E TYPE CABLE COVER FOR FLAT CABLE (RoHS)			
T. KAWANO	T. KAWANO	T. SOGO	T. SATO	S. FURUSAWA	PART NO.	PCS-E ( ) LTP- ( ) +			REV.	