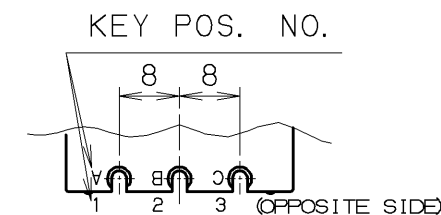
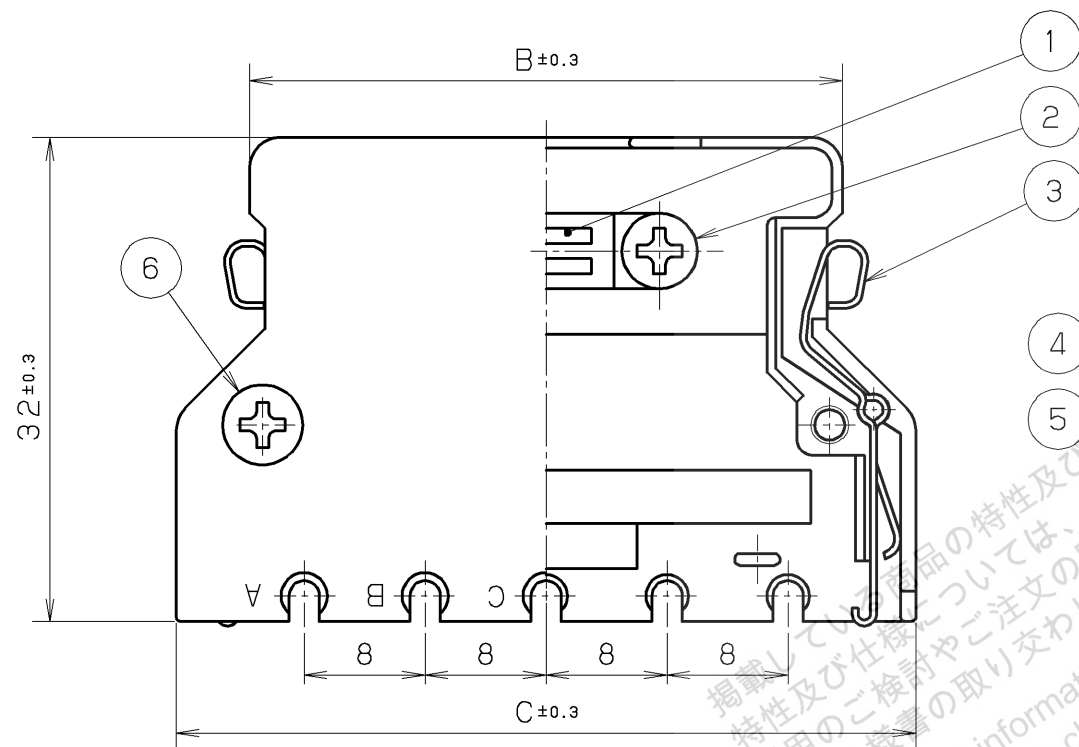


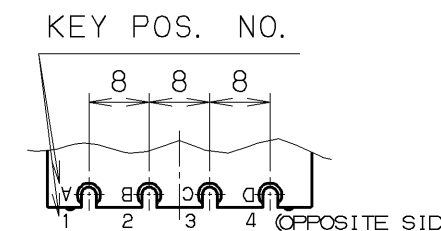
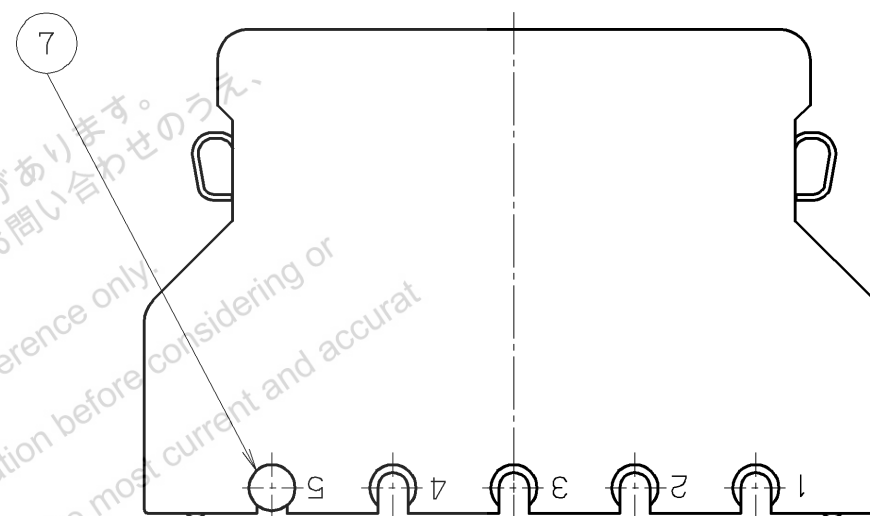
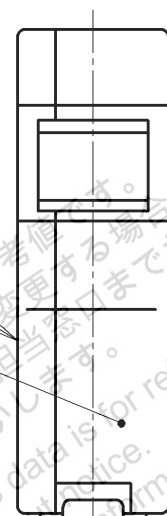
20, 28 POS.



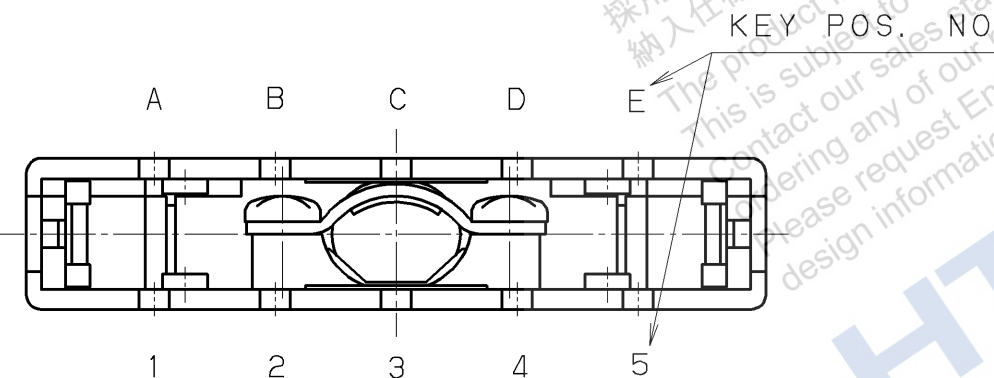
20 POS.



KEY RIVET FOR KEYING



28, 36 POS.



PART NO.

1. WITH KEYING

THE UNDERLINED SECTION AT THE END OF PART NUMBER IS FILLED WITH 4 KINDS OF THE STANDARD KEY POSITION CODES.

EXAMPLE: PCS-E (NO. OF POS.) LP_A_B_C-1E

2. WITHOUT KEYING

PCS-E (NO. OF POS.) LP_A_B_C

PART NO.	NO. OF POS.	A	B	C	APPLICABLE CABLE O. D.	STANDARD KEY POSITIONS (4 TYPES)
PCS-E68LPB- ()	68	7.5x6	50.6	60.3	Ø6.5	1E, 2D, 4B, 5A
PCS-E68LPA- ()		8.5x7.5			Ø8.1	
PCS-E50LPA- ()	50	8.5x7	39.2	48.9	Ø7.3	1D, 2C, 3B, 4A
PCS-E36LPA- ()	36	9.5x8	30.5	40.2	Ø8.4, Ø9	
PCS-E28LPC- ()	28	11x8	25.3	35.0	Ø10	1B, 1C, 2A, 3A
PCS-E28LPB- ()		10x8			Ø9	
PCS-E28LPA- ()		6.5x5			Ø5.5, Ø5.9	
PCS-E20LPB- ()	20	8x7	20.3	30.0	Ø7.5	
PCS-E20LPA- ()		6x5			Ø5.5	

No.	PART NAME	MATERIAL	QTY	FINISH	NOTE
7	KEY RIVET	BRASS	(2)	Ni PLATING	P/N: PCS-E-PK
6	FLAT HEAD SCREW	STEEL	2	NICKEL PLATING	M2.5
5	COVER A	ZINC ALLOY	1	NICKEL PLATING	—
4	COVER B	ZINC ALLOY	1	NICKEL PLATING	—
3	SPRING LOCK	STAINLESS STEEL	2	—	—
2	PAN HEAD SCREW	STEEL	2	NICKEL PLATING	M2.5
1	CABLE CLAMP	STAINLESS STEEL	1	—	—

LTR.	DATE	BY	REV.	DESCRIPT	No.	PART NAME	MATERIAL	QTY	FINISH	NOTE
	18. APR. 1986									
DATE						SCALE		UNIT		3RD. A. P
APP. DATE & REV.						2/1		mm (INCH)		
DR.	DE.	CHK.	CHK.	APP.	HONDA TSUSHIN KOGYO CO., LTD.					
K. SUKESADA	K. SUKESADA	K. YOTSUTANI	K. HOMMA	K. SATO	NAME		PCS-E TYPE CABLE COVER WITH & WITHOUT KEYING			
					PART NO.		PCS-E () LP () - ()			