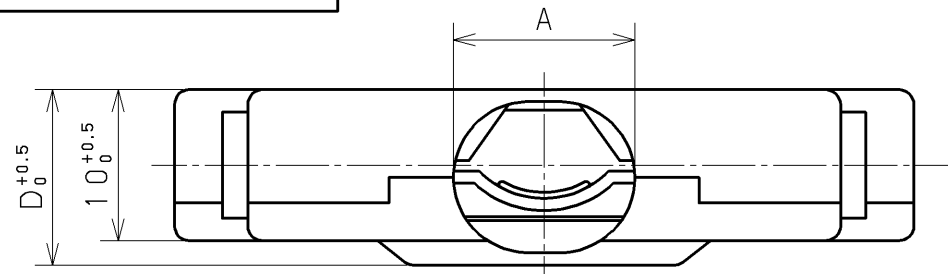
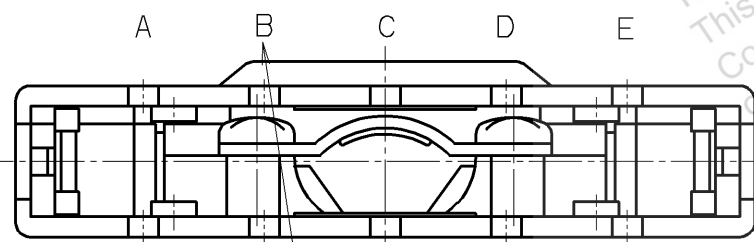
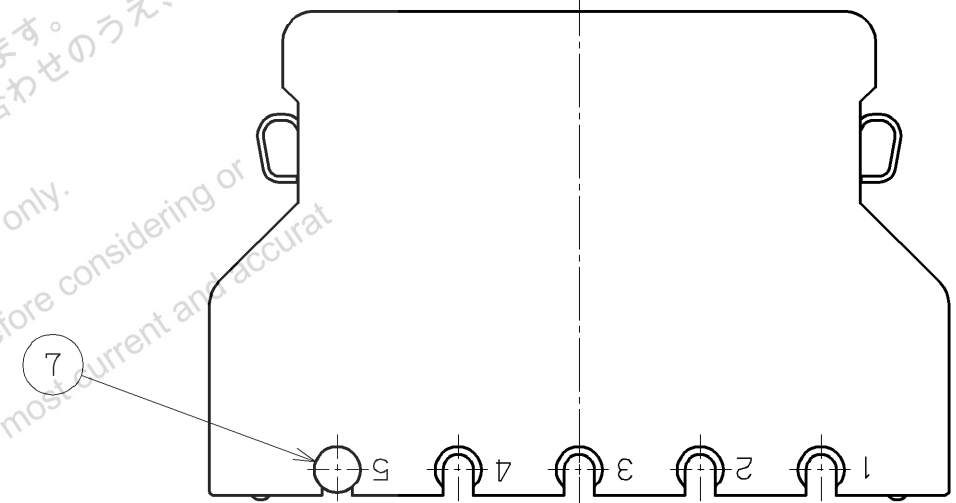
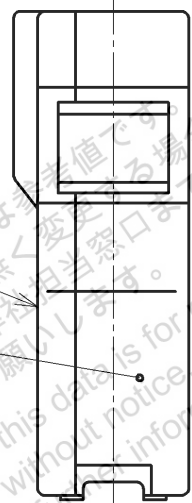
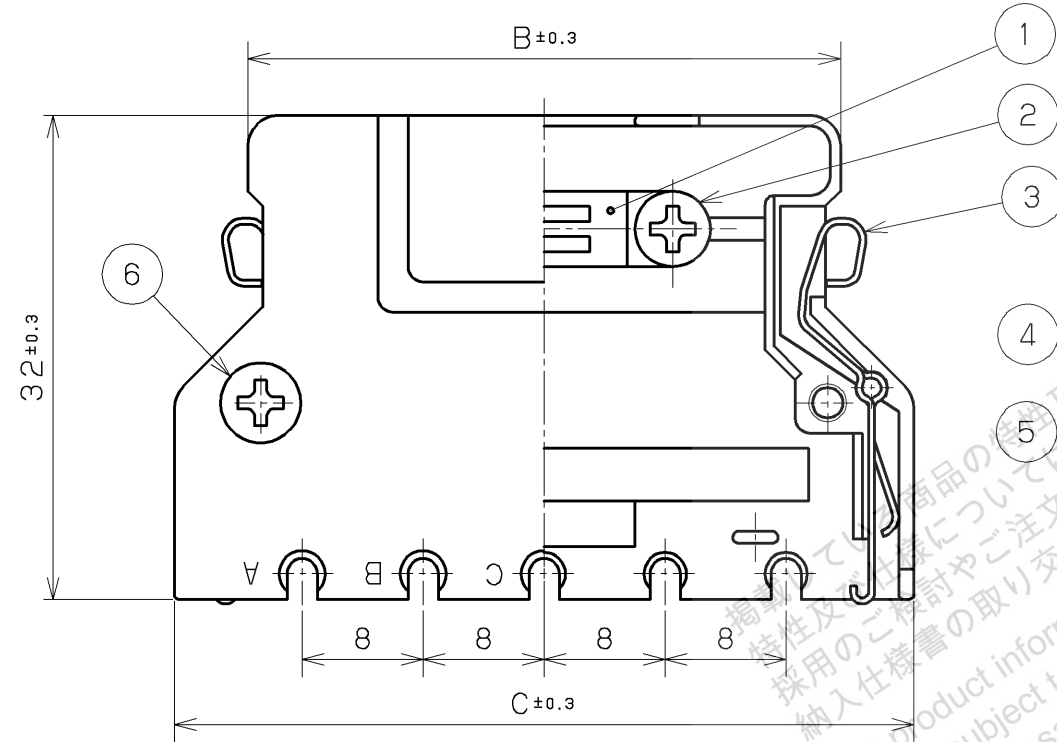


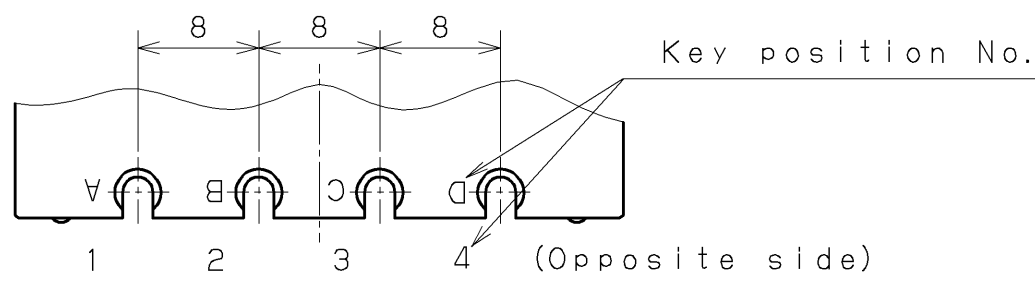
RoHS COMPLIANT



Part No.	No. of Pos.	Dimensions				Applicable cable jacket O.D.	Standard key positions (4 type.)
		A	B	C	D		
PCS-E36LKPA-( )+R	36	10x11	30.5	40.2	11.6	8.0	1D, 2C, 3B, 4A
PCS-E36LKPB-( )+R		10x11				10.5	
PCS-E50LKPA-( )+R	50	10x12	39.2	48.9		10.0	1E, 2D, 4B, 5A
PCS-E50LKPC-( )+R		10x12				11.5	
PCS-E68LKPA-( )+R	68	10x13	50.6	60.3		12.0	1E, 2D, 4B, 5A
PCS-E68LKPB-( )+R		10x13				10.0	
PCS-E80LKPA-( )+R	80	10x10	58.2	67.9		9.5	1E, 2D, 4B, 5A
PCS-E80LKPB-( )+R		15x13.6				13.0	



1 2 3 4 5  
Key position No.



1 2 3 4 (Opposite side)  
36 Pos.

Note:  
1. Part No.  
PCS-E (No. of Pos.) LKP ( ) - ( ) +R

Standard key position (See table)

PCS-E (No. of Pos.) LKP ( ) +R : Without all keying feature

7	Key rivet	Brass	(2)	Nickel Plating	P/N: PCS-E-PK
6	Flat head screw	steel	2	Nickel Plating	M2.5
5	Cover A	Zinc alloy	1	Nickel Plating	—
4	Cover B	Zinc alloy	1	Nickel Plating	—
3	Spring lock	Stainless steel	2	—	—
2	Span head screw	steel	2	Nickel Plating	M2.5
1	Cable clamp	Stainless steel	1	—	—

△									
△									
△									

LTR.	DATE	BY	REV.	DESCRIPT	No.	PART NAME	MATERIAL	QTY	FINISH	NOTE
	DATE									
	Dec.19 (2007)									
	SCALE									
	2/1									
	UNIT									
	mm (INCH)									
	3RD. A. P									
	HONDA TSUSHIN KOGYO CO., LTD.									
	APP. DATE&REV.									
	DR.									
	DE.									
	CHK.									
	CHK.									
	APP.									
	T. KAWANO									
	T. KAWANO									
	T. SOGO									
	T. SATO									
	S. FURUSAWA									
	NAME									
	PCS-E TYPE									
	CABLE COVER (RoHS)									
	PART NO.									
	PCS-E ( ) LKP ( ) +R									
	REV.									