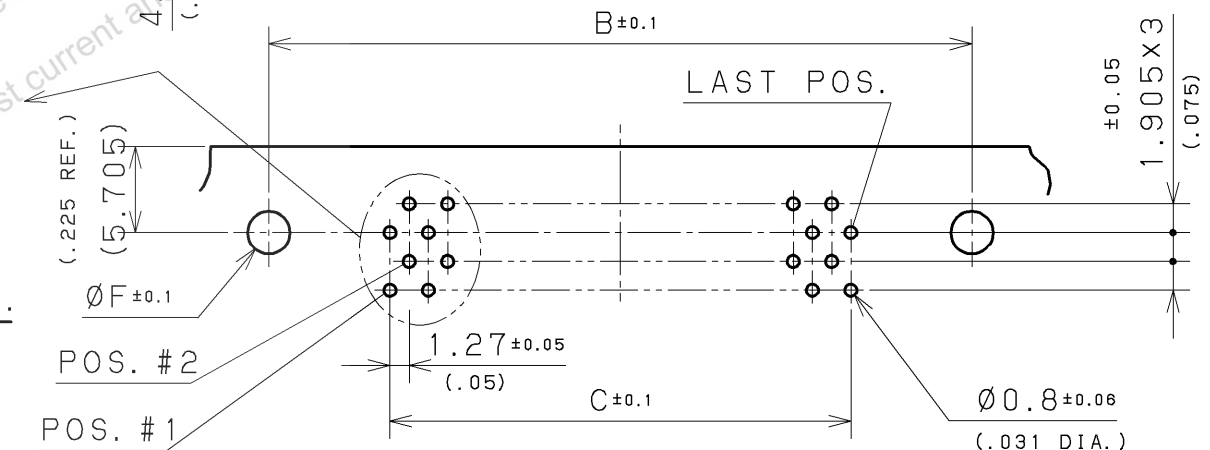
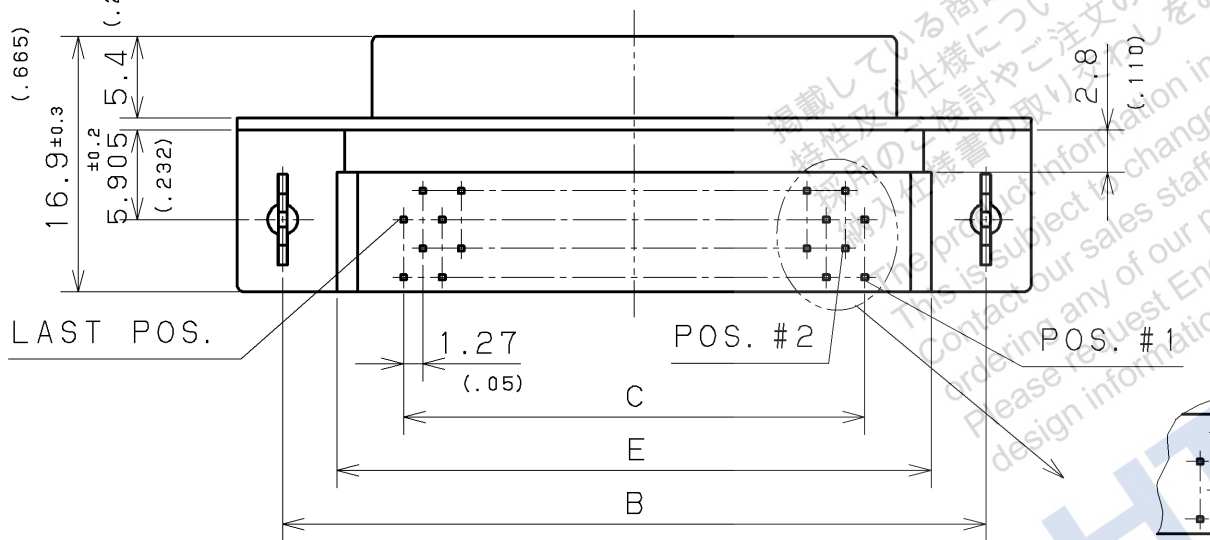
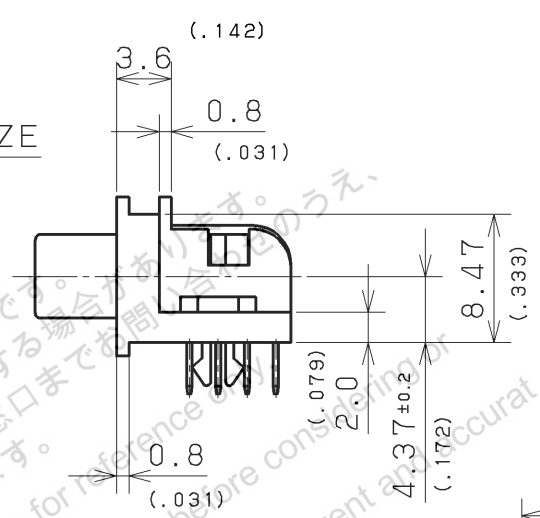
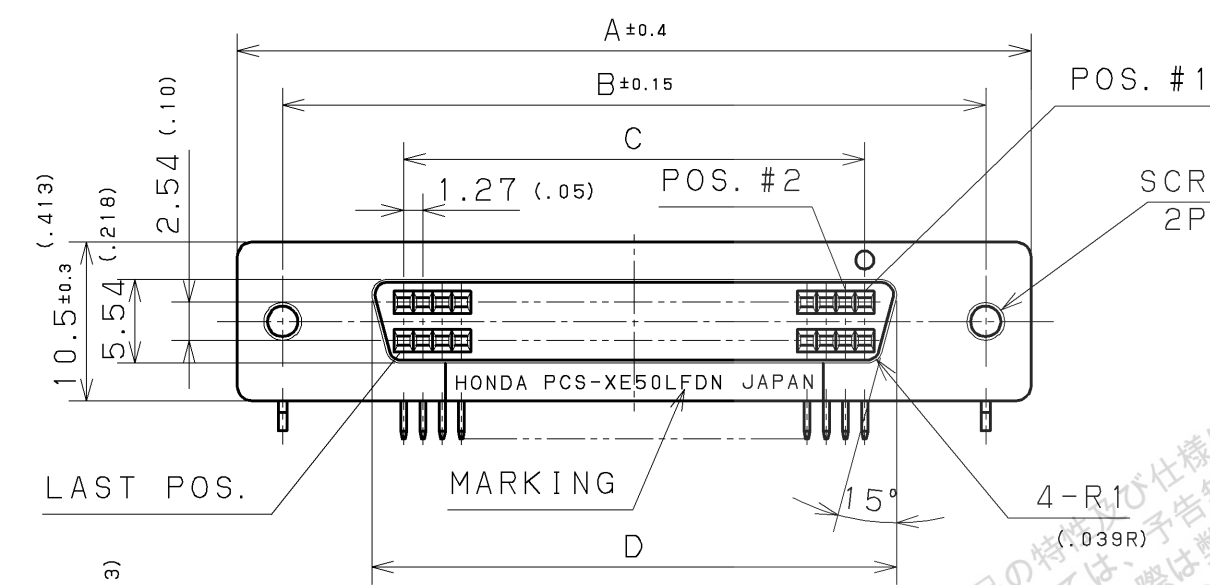
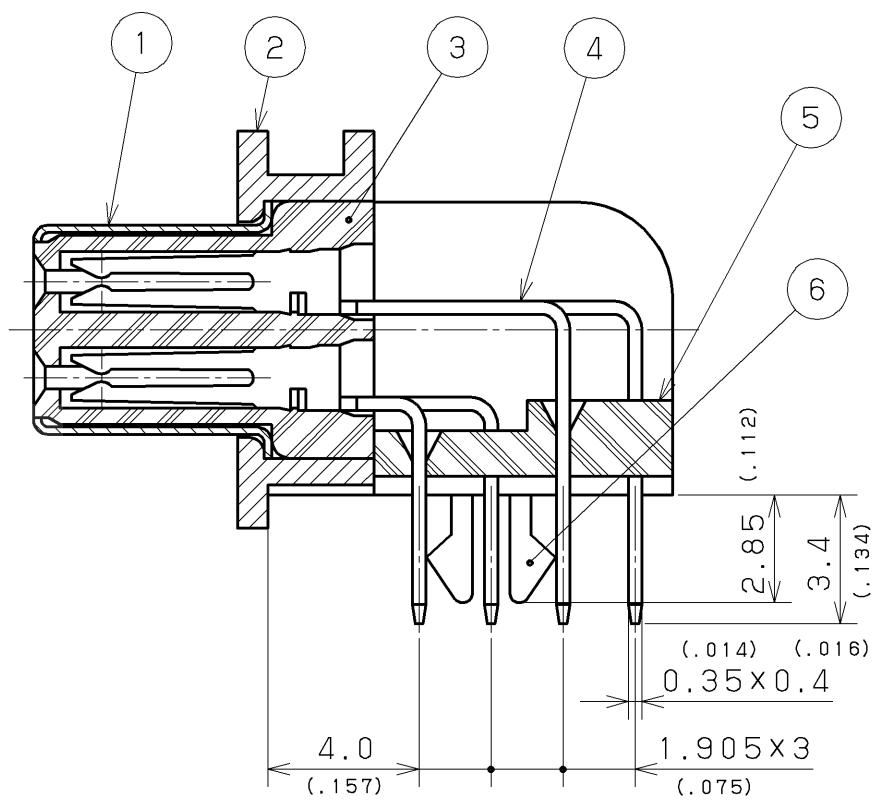


NOTE 1. CONTACT FINISH
GOLD (0.20 μm MIN.) ON
MATING AREA, TIN/LEAD ON
TERMINATION AREA, ALL OVER
NICKEL UNDERPLATED.



P. C. BOARD MOUNTING DIMENSIONS
CONNECTOR SIDE
P. C. BOARD THICKNESS: 1.6±0.1mm (.063)

PCS-XE () LFDTU2N	#2-56UNC	Ø2.5 (.098 DIA.)
PCS-XE () LFDTUN	#4-40UNC	Ø3.05 (.120 DIA.)
PCS-XE () LFDTN	M2.5x0.45	Ø2.8 (.110 DIA.)
PART No.	SCREW SIZE	ØF

PART No. PCS-XE50LFDTU2N
40&68POS.
No. OF POS.
SCREW SIZE &
BOARD LOCK SIZE

PART No.	No. OF POS.	A	B	C	D	E	MARKING
PCS-XE40LFD () N	40	46.15 (1.817)	40.15 (1.581)	1.27x(20-1)=24.13 (.05)	28.35 (1.116)	32.93 (1.296)	PCS-XE40LFDN
PCS-XE68LFD () N	68	63.9 (2.516)	57.9 (2.280)	1.27x(34-1)=41.91 (.05)	46.13 (1.816)	50.71 (1.996)	PCS-XE68LFDN
PCS-XE50LFD () N	50	52.5 (2.067)	46.5 (1.831)	1.27x(25-1)=30.48 (.05)	34.70 (1.366)	39.28 (1.546)	PCS-XE50LFDN

QTY	PART NAME	MATERIAL	FINISH	NOTE
2	BOARD LOCK	PHOSPHOR BRONZE	TIN/LEAD PLATING	
1	BRACKET	PBT (GF)	UL94V-0 BLACK	
1	CONTACT	PHOSPHOR BRONZE	NOTE #1	
1	INSULATOR	PBT (GF)	UL94V-0 BLACK	
1	SHELL A	ZINC ALLOY	NI PLATING	
1	SHELL B	STEEL	NI PLATING	

DATE	SCALE	UNIT	3角法	名称	備考
SEP. 30 (1994)	2/1	mm (INCH)	3RD. A. P	本多通信工業株式会社 HONDA TSUSHIN KOGYO CO., LTD.	
DR. S. FURUSAWA	DE. S. FURUSAWA	CHK. Y. HIRAI	APP. M. TAKAHASHI	名称 PCS-XE TYPE FEMALE CONNECTOR WITH BOARD LOCK	
製 國 設 計 検 査 承 認				製 番 PART NO. PCS-XE () LFD TU2 N	REVISION B