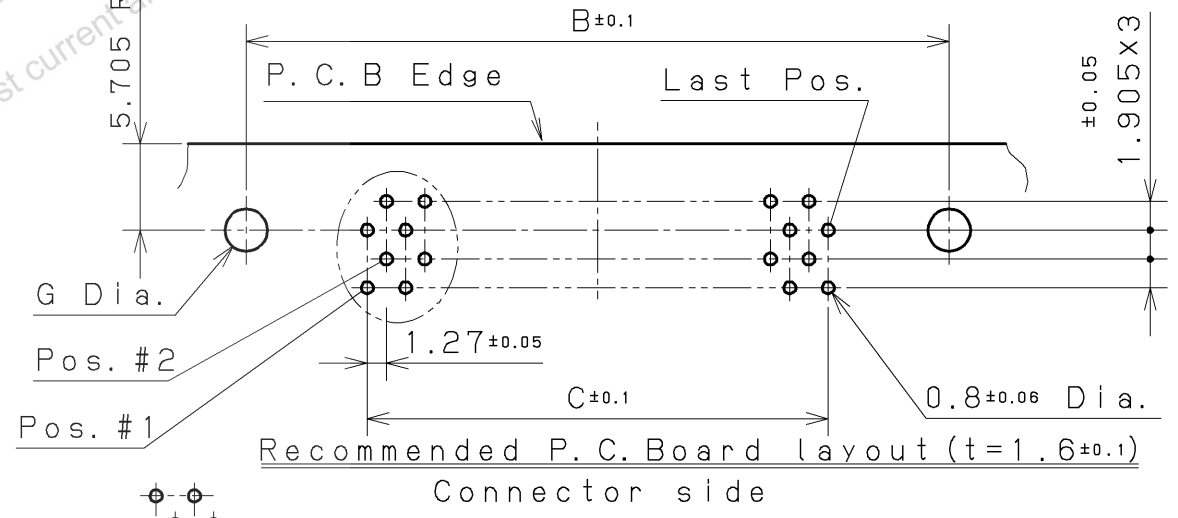
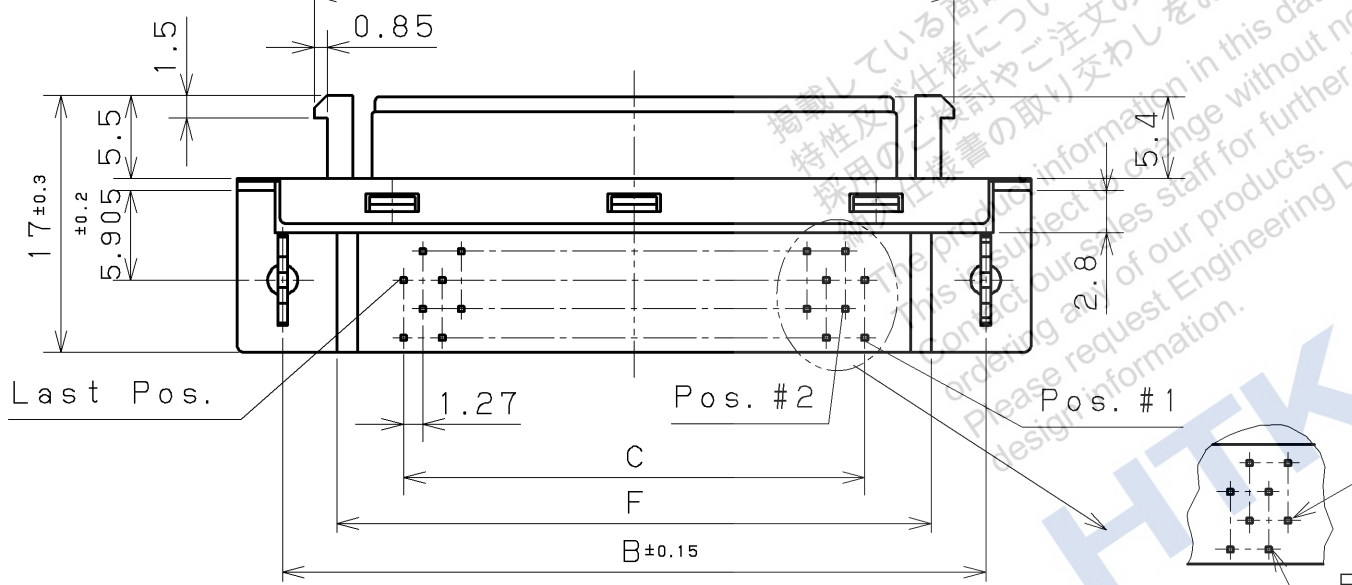
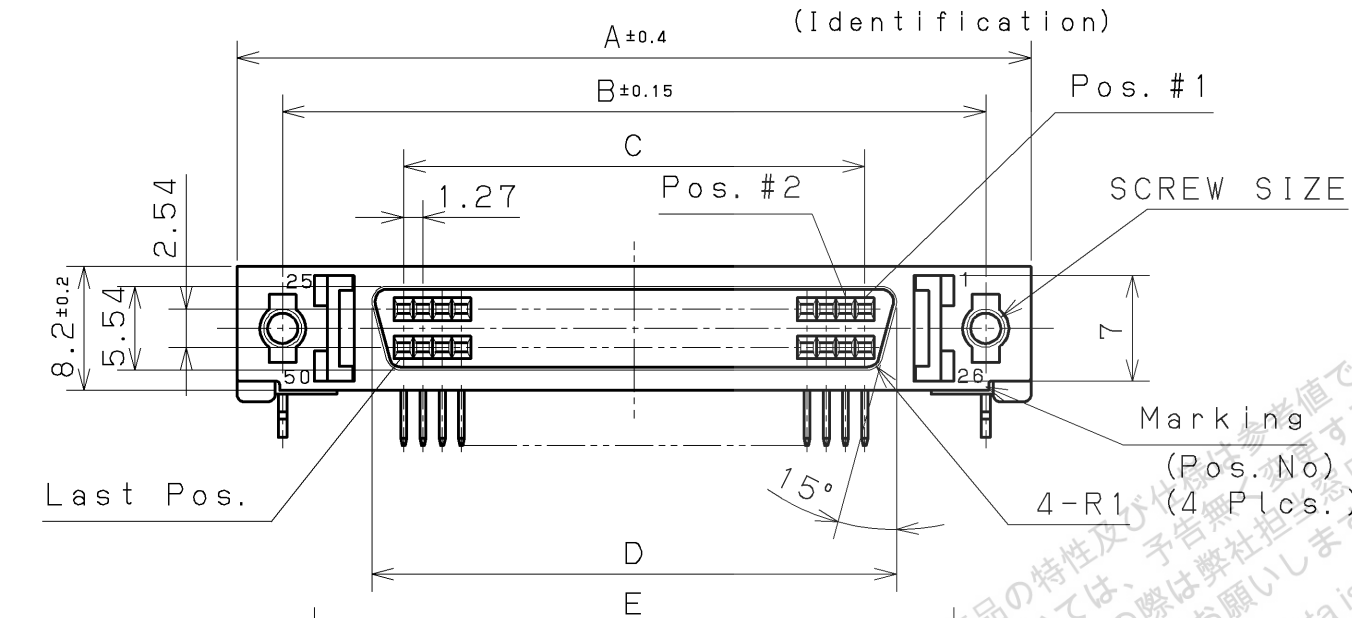
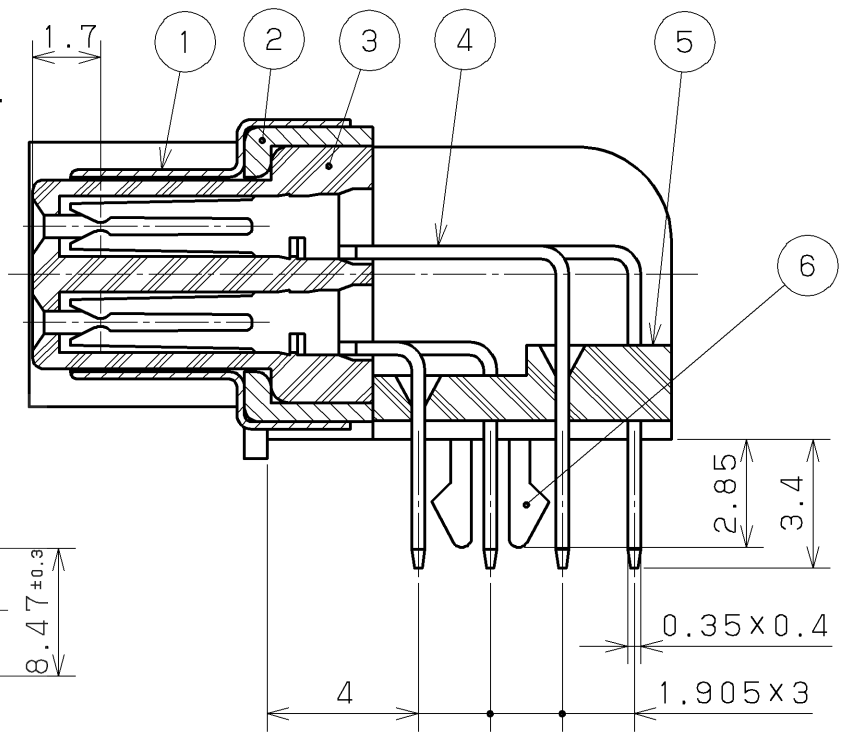


Note 1. Contact plating
 Contact area: Gold 0.2μm Min.
 Termination area: Gold
 Underplating: Nickel

RoHS COMPLIANT



PCS-XE () SLFDTU3+	#2-56UNC	2.8 Dia.
PCS-XE () SLFDTU2+	#2-56UNC	2.5 Dia.
PCS-XE () SLFDTU+	#4-40UNC	3.05 Dia.
PCS-XE () SLFDT+	M2.5x0.45	2.8 Dia.
Part No.	Screw size	G dia.

PART NO.
 PCS-XE50SLFDTU2+
 No. of Pos.
 Screw size

Part No.	No. of Pos.	A	B	C	D	E	F	Pos.No marking
PCS-XE68SLFDT () +	68	63.9	57.9	1.27x (34-1) = 41.91	46.13	53.72	50.71	1, 34, 35, 68
PCS-XE50SLFDT () +	50	52.5	46.5	1.27x (25-1) = 30.48	34.70	42.29	39.28	1, 25, 26, 50
PCS-XE26SLFDT () +	26	37.2	31.2	1.27x (13-1) = 15.24	19.46	27.05	24.05	1, 13, 14, 26

6	Board lock	Phosphor bronze	2	Tin plating	
5	Bracket	PBT (GF)	1		UL94V-0 Black
4	Contact	Phosphor bronze	No. of Pos.	See Note #1	
3	Insulator	PBT (GF)	1		UL94V-0 Black
2	Shell B	Zinc alloy	1	Nickel Plating	
1	Shell A	Steel	1	Nickel Plating	

LTR.	DATE	BY	REV.	DESCRIPT	No.	PART NAME	MATERIAL	QTY	FINISH	NOTE
	DATE		SCALE		UNIT	3RD. A. P	HONDA TSUSHIN KOGYO CO., LTD.			
	Mar. 31. 2004		2 / 1		mm (INCH)					
	APP. DATE&REV.									
	DR.	DE.	CHK.	CHK.	APP.	NAME	PCS-XE TYPE FEMALE CONNECTOR (RoHS) (SCSI-II)			
	T. KAWANO	T. KAWANO	T. SOGO	T. SATO	S. FURUSAWA	PART NO.	PCS-XE () SLFDT () +			