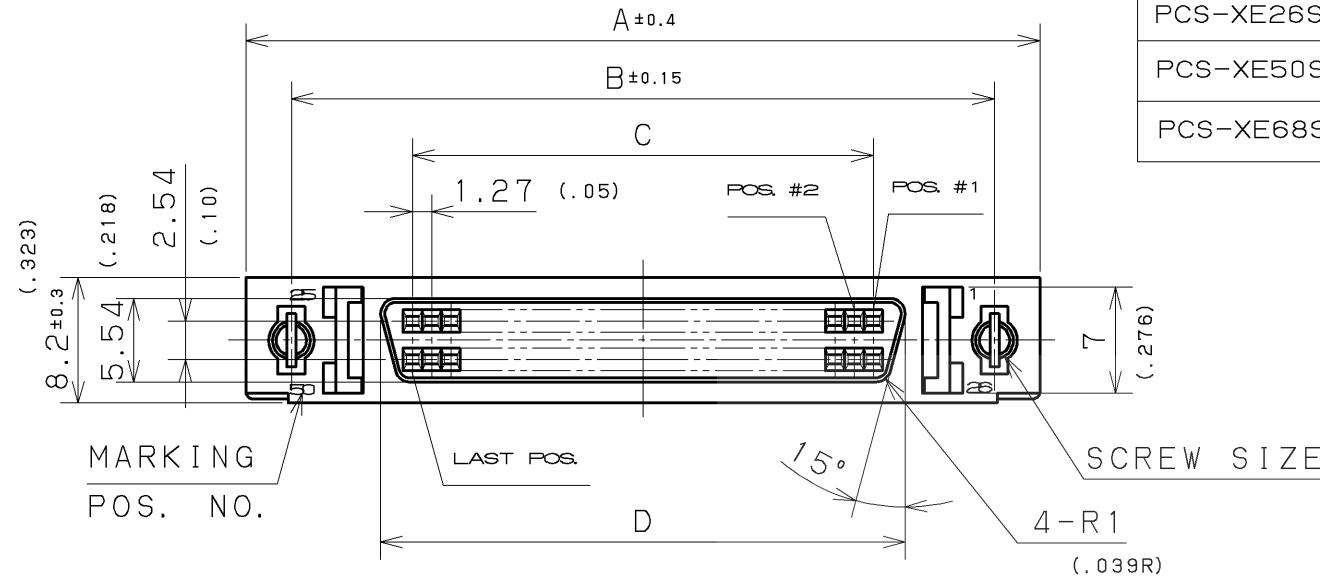
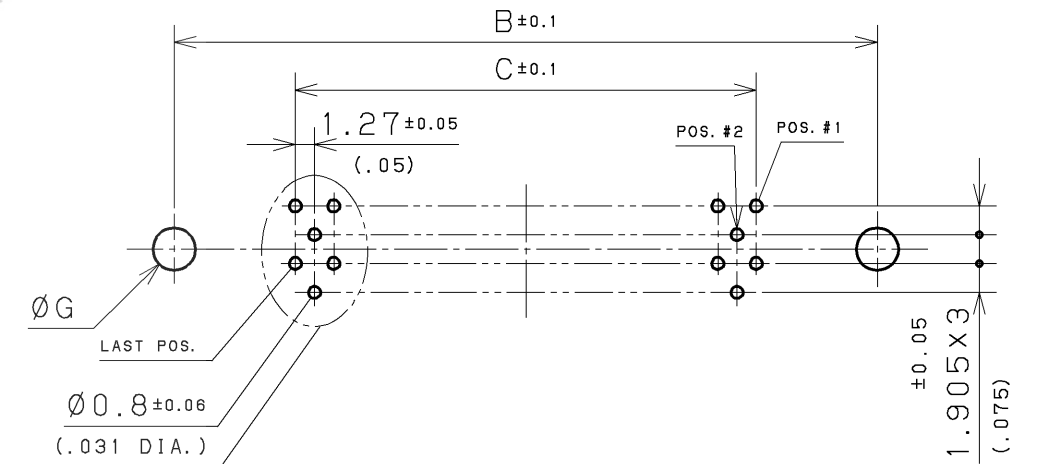
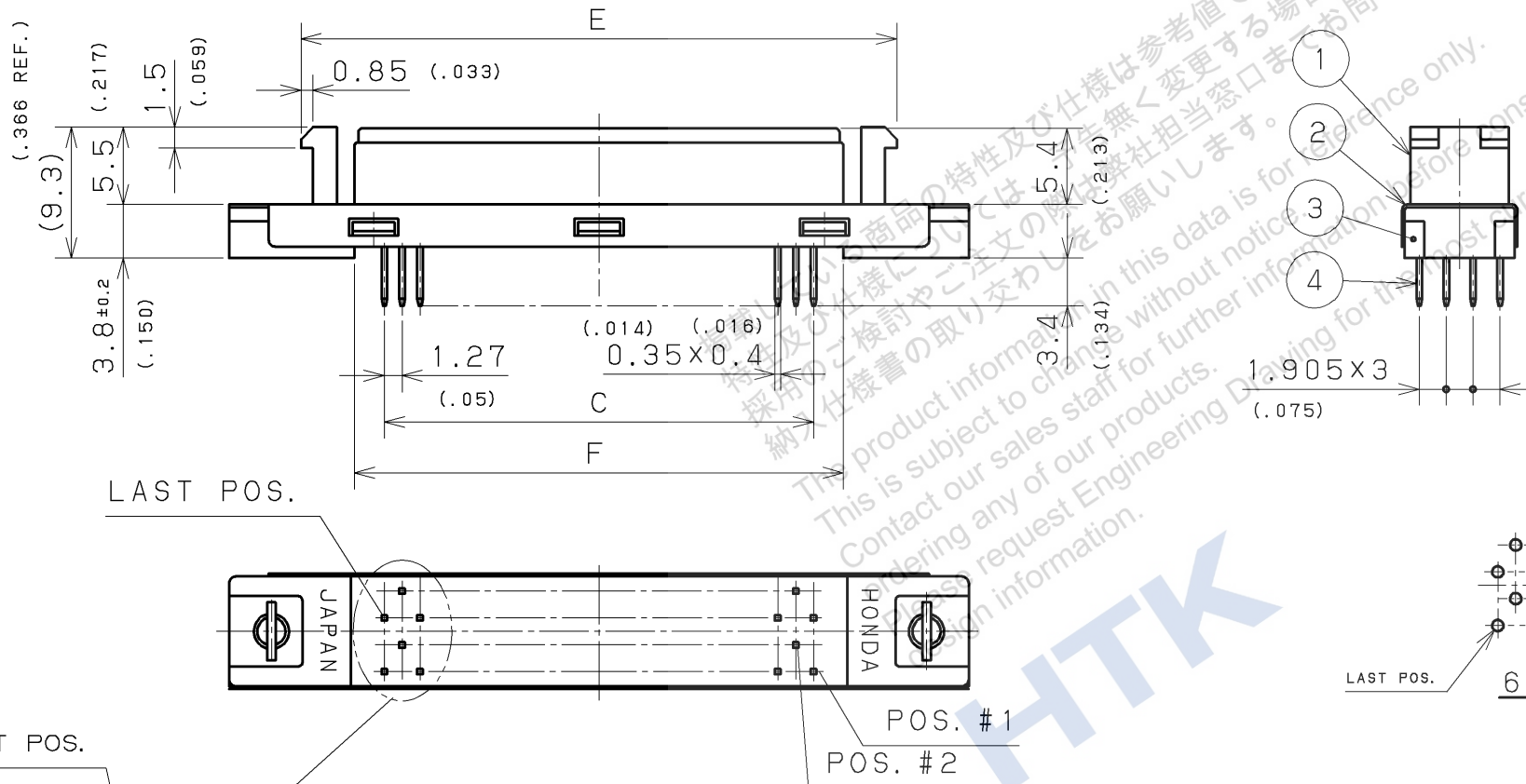
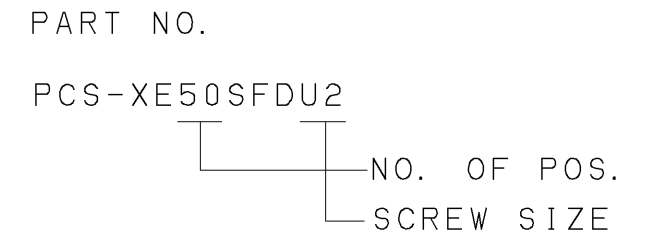


PART NO.	NO. OF POS.	A	B	C	D	E	F	MARKING
PCS-XE26SFD ( )	26	37.2 (1.465)	31.2 (1.228)	1.27x (13-1) = 15.24 (.60)	19.46 (.766)	27.05 (1.065)	20.00 (.787)	1, 13, 14, 26
PCS-XE50SFD ( )	50	52.5 (2.067)	46.5 (1.831)	1.27x (25-1) = 30.48 (1.20)	34.70 (1.366)	42.29 (1.665)	35.24 (1.387)	1, 25, 26, 50
PCS-XE68SFD ( )	68	63.9 (2.516)	57.9 (2.280)	1.27x (34-1) = 41.91 (1.65)	46.13 (1.816)	53.72 (2.115)	46.67 (1.837)	1, 34, 35, 68



PART NO.	SCREW SIZE	ØG
PCS-XE ( ) SFD	M2.5x045	2.8 (.110 DIA.)
PCS-XE ( ) SFDU	#4-40UNC	3.05 (.120 DIA.)
PCS-XE ( ) SFDU2	#2-56UNC	2.5 (.098 DIA.)



P. C. BOARD MOUNTING DIMENSIONS  
CONNECTOR SIDE

P. C. BOARD THICKNESS: 1.6mm (.063)

68 POS.

NOTE

1. CONTACT FINISH  
GOLD (0.20µm) ON MATING AREA,  
TIN/LEAD ON TERMINATION AREA,  
ALL OVER NICKEL.

REV.	DATE	BY	REV. DESCRIPT	No.	PART NAME	MATERIAL	QTY	FINISH	NOTE
3					4 CONTACT	PHOSPHOR BRONZE	NO. OF POS.	NOTE # 1	
2					3 INSULATOR	PBT (GF)	1	NICKEL PLATING	UL94V-0 BLACK
1					2 SHELL II	STEEL	1	NICKEL PLATING	
					1 SHELL I	ZINC ALLOY	1	NICKEL PLATING	
年月日 DATE	尺 度 SCALE	単 位 UNIT	3 角 法	本 多 通 信 工 業 株 式 有 限 公 司 HONDA TSUSHIN KOGYO CO., LTD.					
AUG. 25 94	2 1	mm (INCH)	3RD. A. P	製 設 計 検 査 承 認	名 称	PCS-XE TYPE FEMALE CONNECTOR			
S. FURUSAWA	S. FURUSAWA	Y. HIRAI	M. TAKAHASHI	K. TOKUDOME	名 称	PCS-XE ( ) SFD ( )			
DR.	DE.	CHK.	CHK.	APP.	製 番	PART NO.			
					REV.				