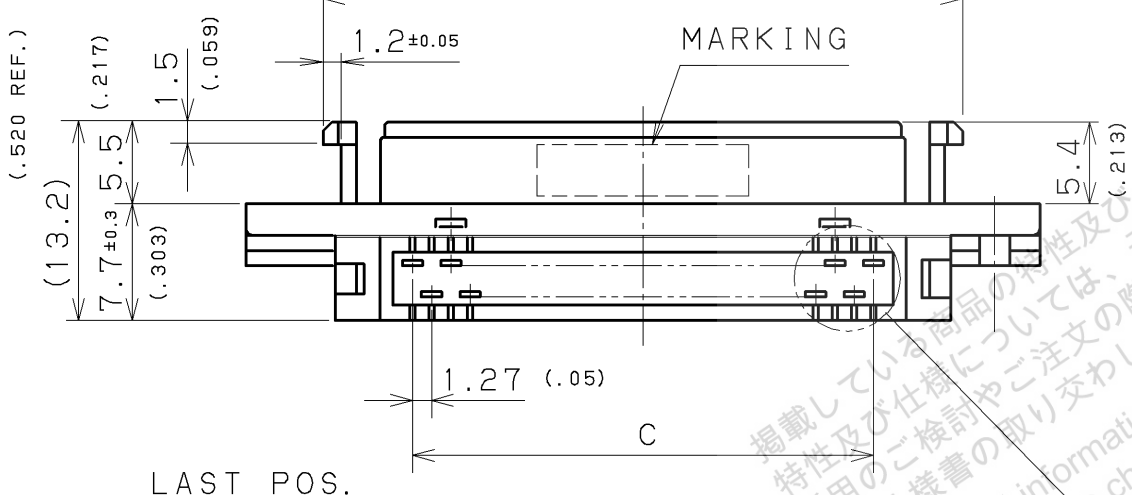
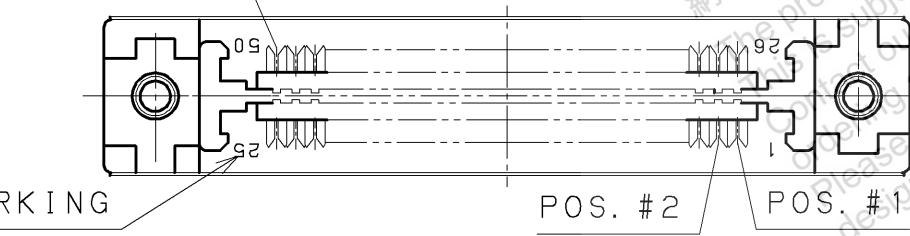


NOTE  
1. CONTACT PLATING  
GOLD (0.2 μm) ON MATING AREA AND  
TERMINATION AREA ALL OVER NICKEL.



SCREW SIZE

PART NO.	CABLE CHARACTERISTICS
PCS-XE ( ) SPFE ( )	FOR FLAT CABLE #30AWG (7/0.1)
PCS-XE ( ) SPFC ( )	FOR FLAT CABLE #28AWG (7/0.127) #30AWG (1/0.254)
PCS-XE ( ) SPFB ( )	FOR JACKET O. D. : 0.5~0.65mm #30AWG (7/0.1)
PCS-XE ( ) SPFA ( )	FOR JACKET O. D. : 0.5~0.65mm <sup>△</sup> #30AWG (1/0.245)
PCS-XE ( ) SPF ( )	FOR JACKET O. D. : 0.8~1.0mm #30AWG (1/0.254)



PART NO.

PCS-XE50SPF ( ) ( )

NO. OF POS.  
CABLE CHARACTERISTICS  
SCREW SIZE

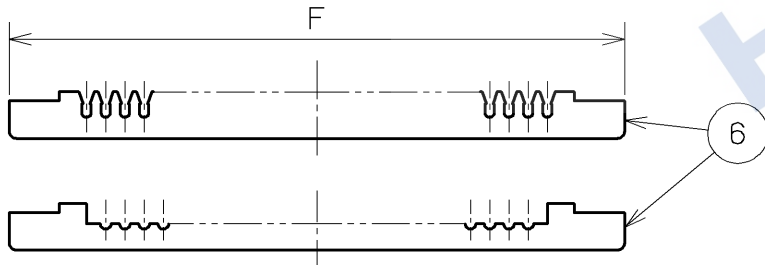
PART NO.	SCREW SIZE
PCS-XE50SPF ( ) U2	#2-56UNC
PCS-XE50SPF ( ) U	#4-40UNC
PCS-XE50SPF ( )	M2.5X0.45

NO.	NAME	MATERIAL	QTY	FINISH	NOTE
6	CABLE COVER	PBT (GF)	2		UL94V-0 BLACK
5	SUPPORTER	PBT (GF)	2		UL94V-0 BLACK
4	INSULATOR	PBT (GF)	1		UL94V-0 BLACK
3	SHELL	STEEL	1	NICKEL PLATING	
2	CONTACT	PHOSPHOR BRONZE	NO. OF POS.		NOTE #1
1	LOCK POST	ZINC ALLOY	2	NICKEL PLATING	

REV.	DATE	BY	REV. DESCRIPT	No.	PART NAME	MATERIAL	QTY	FINISH	NOTE
△3									
△2									
△1	APR.13 1998	A. M	CHANGE CABLE CHARACTERISTICS						

FOR DISCRETE WIRE

FOR FLAT CABLE



PART NO.	NO. OF POS.	A	B	C	D	E	F	MARKING
PCS-XE68SPF ( )	68	63.9 (2.548)	57.9 (2.280)	1.27x(34-1) = 41.91 (.05) (1.65)	46.13 (1.816)	53.72 (2.115)	52.1 (2.051)	1, 34, 35, 68
PCS-XE50SPF ( )	50	52.5 (2.098)	46.5 (1.831)	1.27x(25-1) = 30.48 (.05) (1.20)	34.7 (1.366)	42.29 (1.665)	40.7 (1.602)	1, 25, 26, 50
PCS-XE26SPF ( )	26	37.2 (1.498)	31.2 (1.228)	1.27x(13-1) = 15.24 (.05) (.60)	19.46 (.766)	27.05 (1.065)	25.46 (1.002)	1, 13, 14, 26

DATE	SCALE	UNIT	3RD. A. P	NAME	PART NO.	REV.
JUN. 12 1997	2/1	mm (INCH)		本多通信工業株式会社 HONDA TSUSHIN KOGYO CO., LTD.	PCS-XE ( ) SPF ( ) ( )	1A
DR. A. MAKITA	DE. K. YOKOTA	CHK. K. SATO	CHK. Y. HIRAI	APP. H. MIYAZAKI		