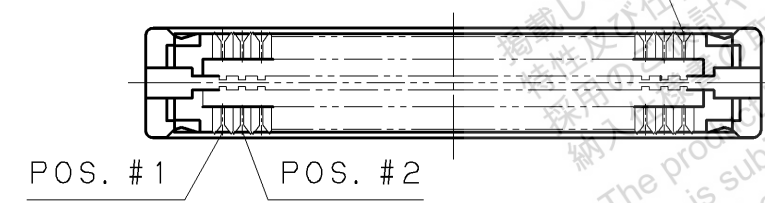
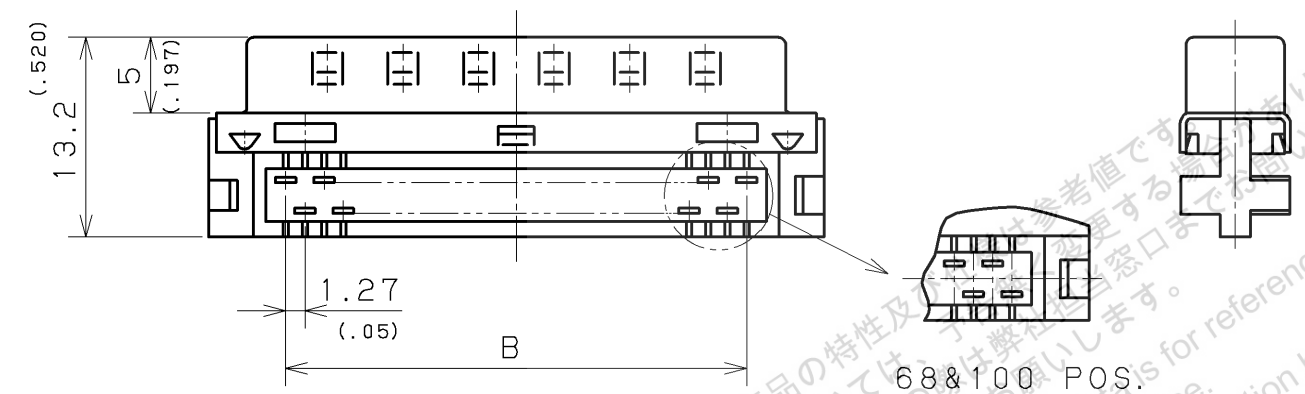
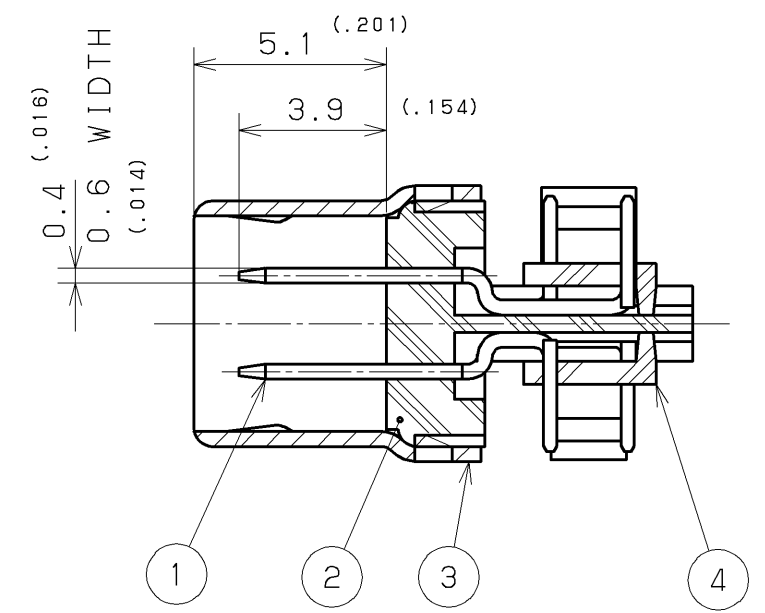
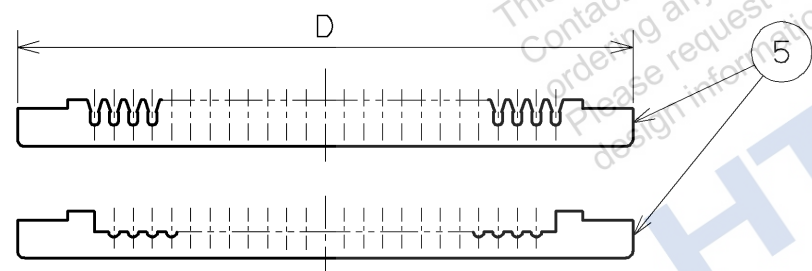


NOTE 1. CONTACT FINISH  
 GOLD (0.20 μm MIN.) ON  
 MATING AREA, GOLD  
 ON TERMINATION AREA,  
 ALL OVER NICKEL  
 UNDERPLATED.



FOR DISCRETE WIRE

FOR FLAT CABLE



PART NO.  
 PCS-XE50MA+

NO. OF POS.  
 CABLE CHARACTERISTICS

PART NO.	CABLE CHARACTERISTICS
PCS-XE ( ) M+	FOR DISCRETE WIRE #28AWG (7/0.127) O. D. : 0.8~1.0mm #30AWG (1/0.254)
PCS-XE ( ) MA+	FOR DISCRETE WIRE #28AWG (7/0.127) O. D. : 0.5~0.65mm #30AWG (1/0.254)
PCS-XE ( ) MB+	FOR DISCRETE WIRE #30AWG (7/0.1) O. D. : 0.5~0.65mm
PCS-XE ( ) MC+	FOR FLAT CABLE #28AWG (7/0.127) THICKNESS: 1mm MAX. #30AWG (1/0.254)
PCS-XE ( ) ME+	FOR FLAT CABLE #30AWG (7/0.1) THICKNESS: 1mm MAX.
PCS-XE ( ) MJ+	FOR DISCRETE WIRE #28AWG (7/0.127) O. D. : 0.65~0.8mm #30AWG (1/0.254)
PCS-XE ( ) MK+	FOR DISCRETE WIRE #30AWG (7/0.1) O. D. : 0.65~0.8mm
PCS-XE ( ) MQ+	FOR DISCRETE WIRE #30AWG (7/0.1) O. D. : 0.8~1.0mm

PART NO.	NO. OF POS.	A	B	C	D	MARKING (POS. NO.)
PCS-XE100M ( ) +	100	72.45 (2.852)	1.27x (50-1) = 62.23 (.05) (2.45)	66.60 (2.622)	72.40 (2.850)	1, 50, 51, 100
PCS-XE68M ( ) +	68	52.13 (2.052)	1.27x (34-1) = 41.91 (.05) (1.65)	46.28 (1.822)	52.10 (2.051)	1, 34, 35, 68
PCS-XE50M ( ) +	50	40.70 (1.602)	1.27x (25-1) = 30.48 (.05) (1.20)	34.85 (1.372)	40.70 (1.602)	1, 25, 26, 50
PCS-XE26M ( ) +	26	25.46 (1.002)	1.27x (13-1) = 15.24 (.05) (.60)	19.61 (.772)	25.46 (1.002)	1, 13, 14, 26

5	CABLE COVER	PBT (GF)	2	—	UL94V-0 BLACK
4	SUPPORTER	PBT (GF)	2	—	UL94V-0 BLACK
3	SHELL	STEEL	1	NI PLATING	—
2	INSULATOR	PBT (GF)	1	—	UL94V-0 BLACK
1	CONTACT	PHOSPHOR BRONZE	NO. OF POS.	NOTE # 1	—

LTR.	DATE	BY	REV.	DESCRIPT	No.	PART NAME	MATERIAL	QTY	FINISH	NOTE
	Mar. 31. 2004		2 / 1							
DATE						SCALE	UNIT	3RD. A. P		
APP. DATE&REV.						HONDA TSUSHIN KOGYO CO., LTD.				
DR.	DE.	CHK.	CHK.	APP.	NAME		PCS-XE TYPE MALE CONNECTOR (RoHS) (SCSI - II III)			
T. KAWANO	T. KAWANO	T. SOGO	K. HOMMA	K. SATO	PART NO.	PCS-XE ( ) M ( ) +			REV.	