

Marking

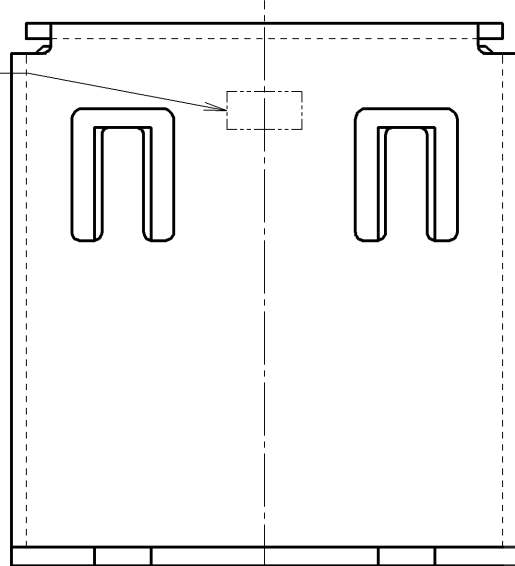
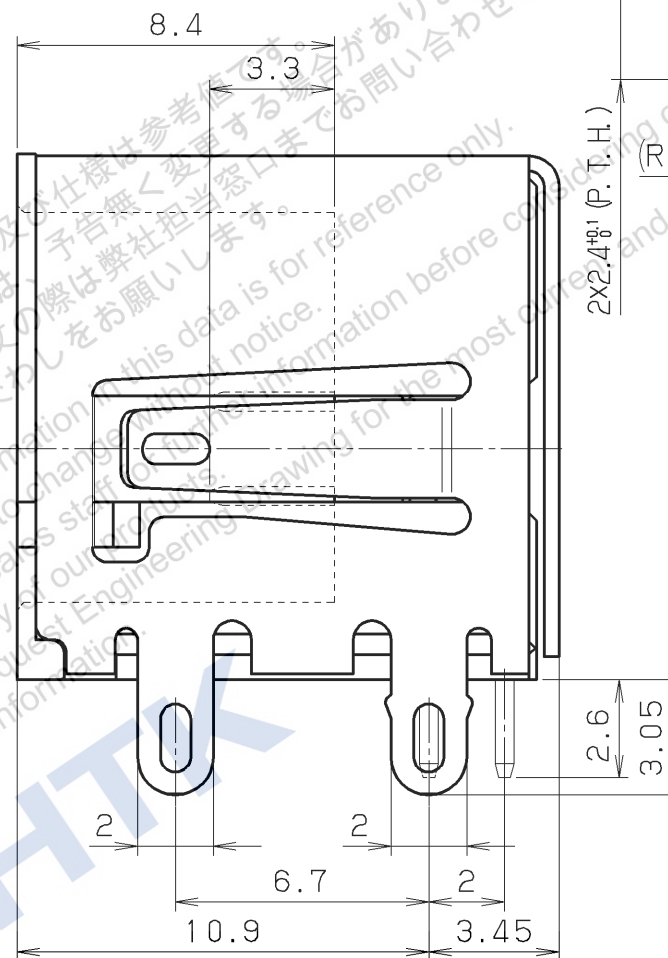
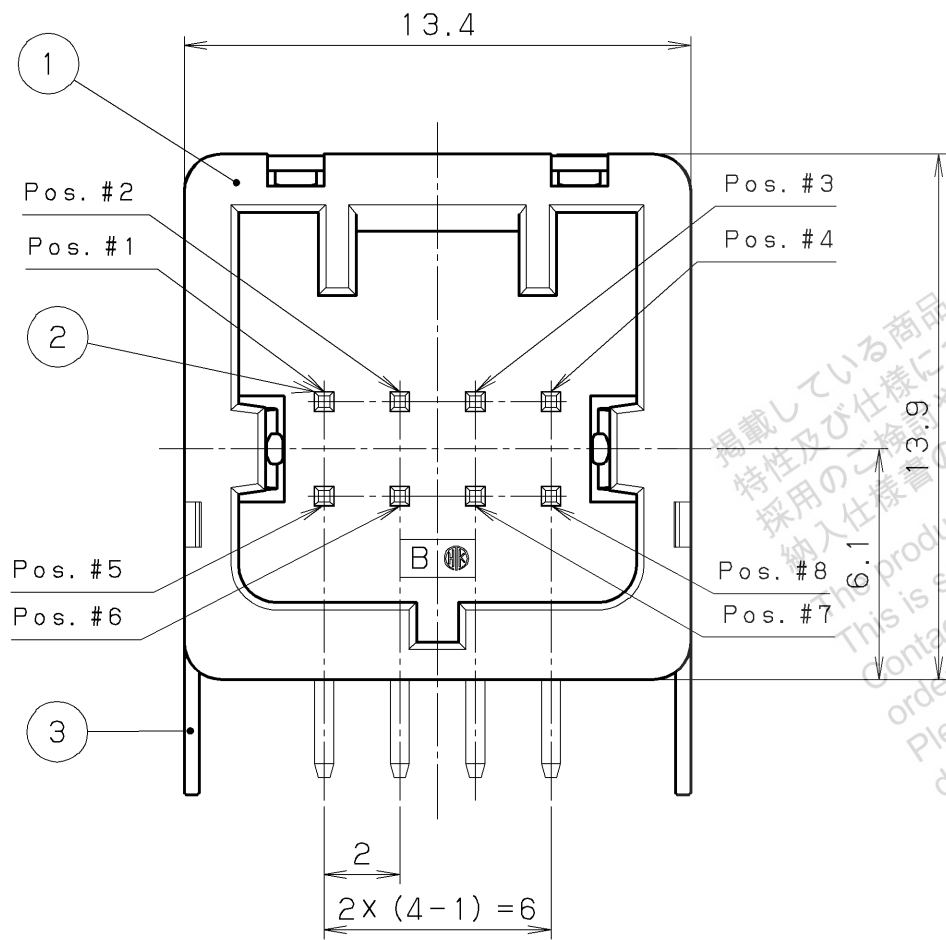
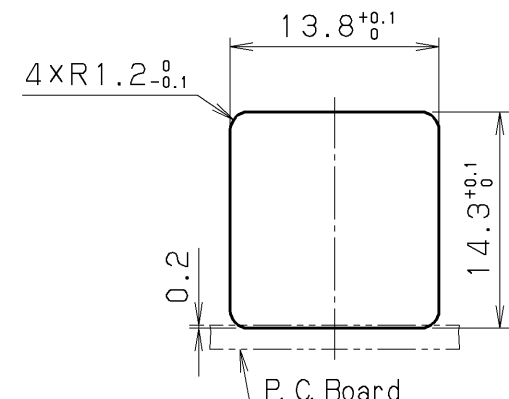
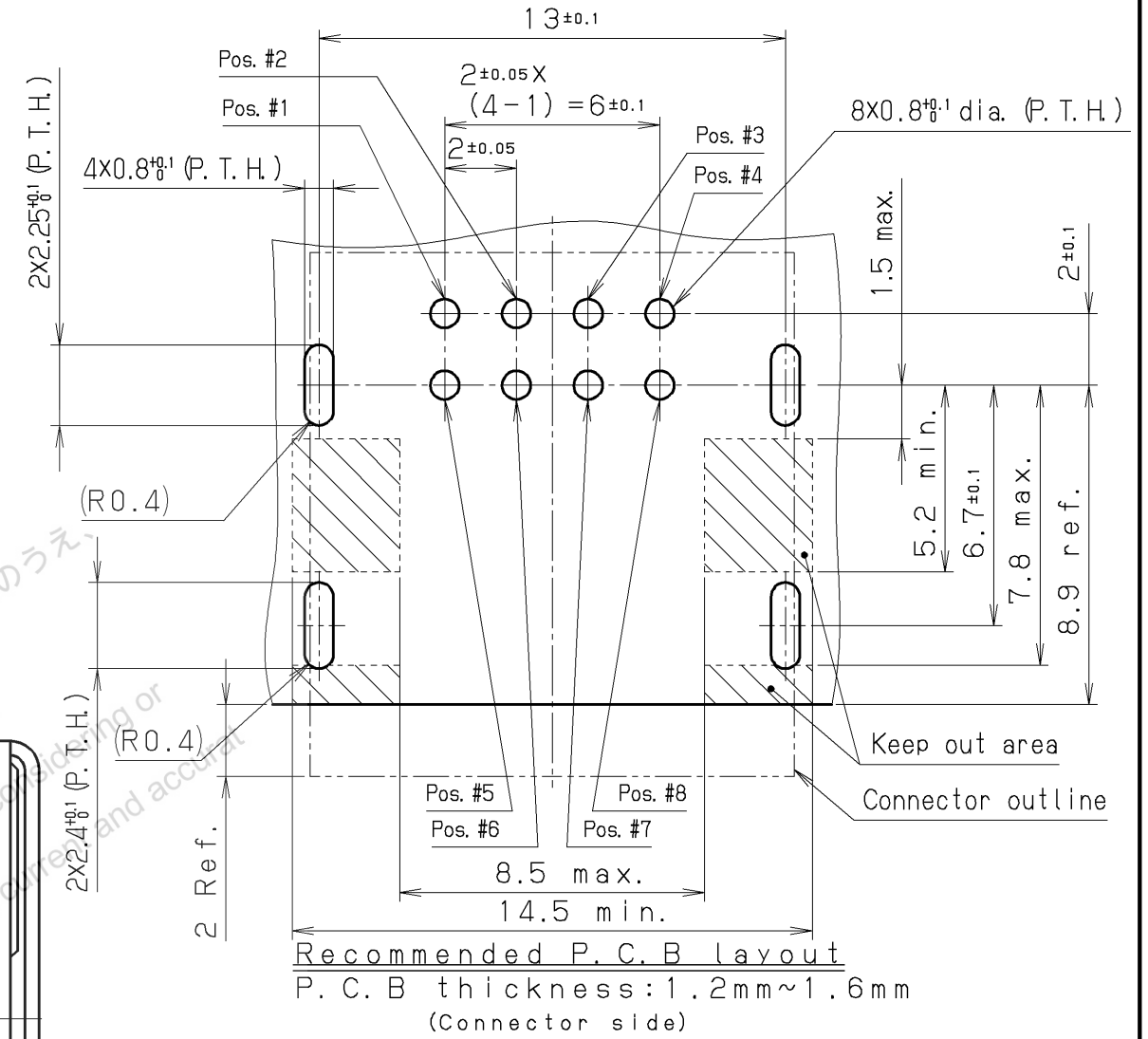
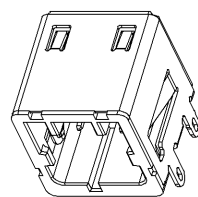


Table 1: Insulator color and key code ▲

Part no.	TAK001A08BMM	
Insulator color	Black	
Mating plug part no.	TAK001A08BMF	
Part no.	TAK001A08AMM	
Insulator color	Blue	
Mating plug part no.	TAK001A08AMF	



RoHS compliant



Appearance

▲				3	Shell	Stainless steel	1	Nickel plating	t=0.4	
▲				2	Contact	Copper alloy	8	Gold plating		
▲	Sep. 26 2019	H. A	Add. Key Shape Change. Part No.	1	Insulator	PBT (GF)	1		See Table #1	
LTR.	DATE	BY	REV.	DESCRPT	No.	PART NAME	MATERIAL	QTY	FINISH	NOTE
	DATE		SCALE		UNIT	3RD. A. P	HTK HONDA TSUSHIN KOGYO CO., LTD.			
	Jul. 27. 2017		5/1		mm (INCH)		NAME			
	APP. DATE&REV.						8 pos. receptacle connector (RoHS)			
	DR.	DE.	CHK.	CHK.	APP.	PART NO.		TAK001A08 () MM ▲		REV.
	H. ASAHI	H. ASAHI	T. SOGO	—	H. AIZAWA					