

Table 1: Housing color and key code

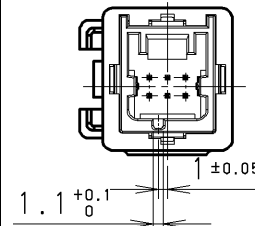
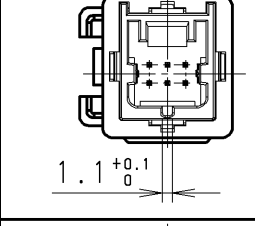
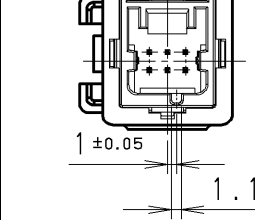
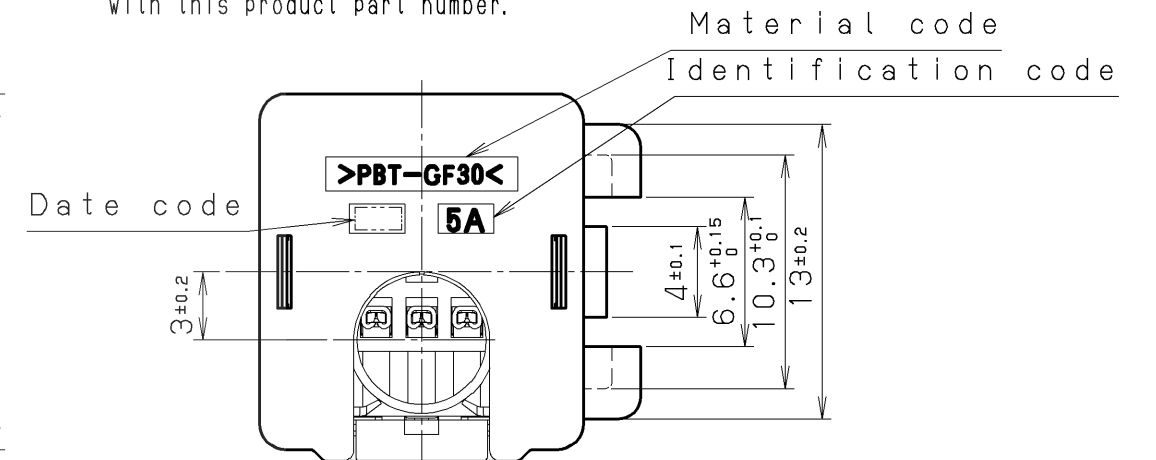
Part no.	Housing color	Key code	Mating female/receptacle part no.
TAK-A6SMCGB-AC+	Black		TAK-A6SFCGB-A () +
TAK-A6SMCGA-BC+	Blue		TAK-A6SFCGA-B () +
TAK-A6SMCGC-CC+	Brown		TAK-A6SFCGC-C () +

Table 2

Part no. of contact	Wire size	Insulation dia. max.
TAK-MGE+	AWG#22~26	1.1

Note. Contact parts described in above table are not included with this product part number.



No.	Part Name	Material	QTY	Finish	Note
6	Contact	Copper alloy	6	contact area:Gold plating terminal area:Nickel plating	See table #2
5	Retainer	PBT (GF)	1		UL94V-0 Black
4	Hood	PBT (GF)	1		UL94V-0 Black
3	Top shell	Stainless Steel	1	Nickel plating	
2	Bottom shell	Stainless Steel	1	Nickel plating	
1	Housing	PBT (GF)	1		UL94V-0 See table #1

LTR.	DATE	BY	REV.	DESCRIPT	No.	PART NAME	MATERIAL	QTY	FINISH	NOTE
	Jan. 29, 2010		3 / 1			3RD. A. P				HONDA TSUSHIN KOGYO CO., LTD.
DR.	DE.	CHK.	CHK.	APP.	NAME		6 pos. in-line male/header connector (RoHS)			
T. KAWANO	T. KAWANO	H. AIZAWA	T. SATO	K. KASHIO	PART NO.		TAK-A6SMCG () - () C+ REV.			

