

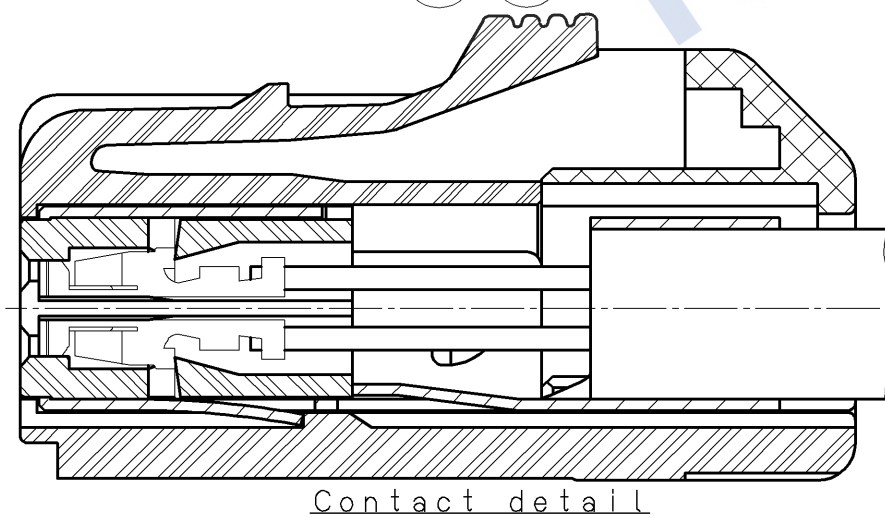
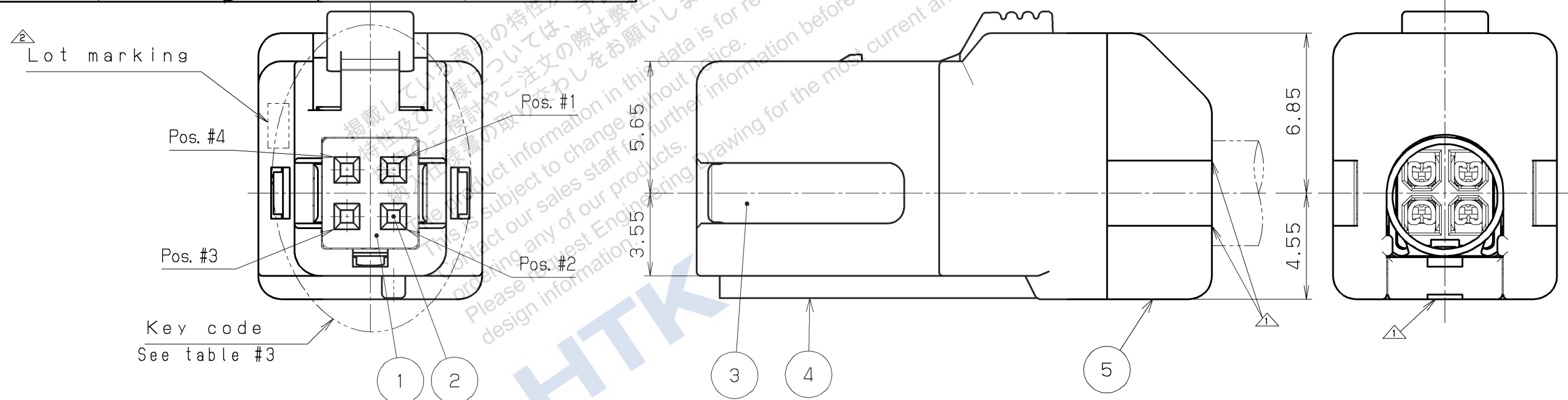
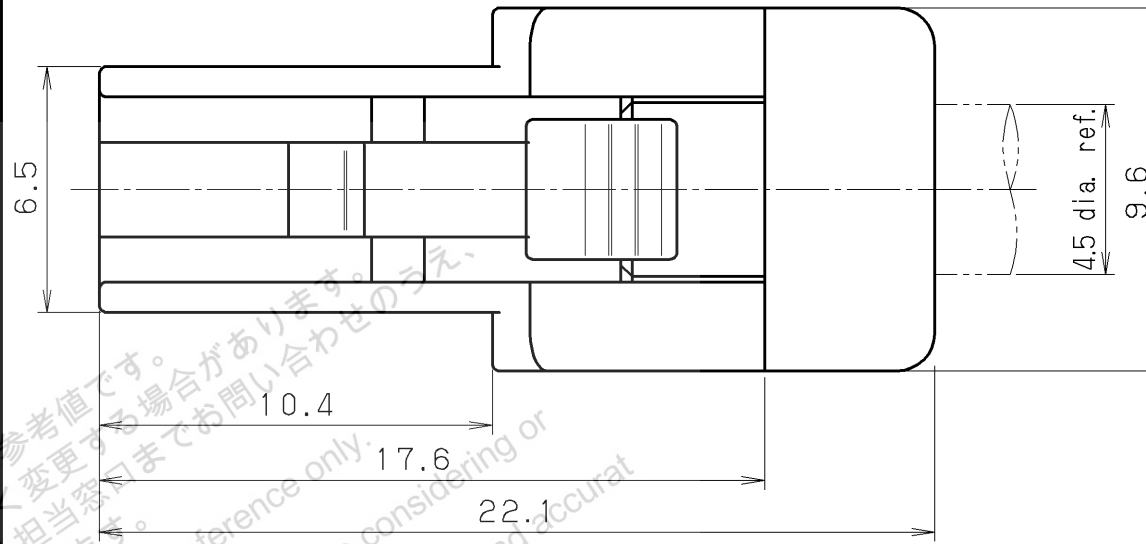
Table 3: Housing color and key code

Part no.	TAK-V4SFCGB-AA+		Part no.	TAK-V4SFCGH-EA+	
Hood A color	Black		Hood A color	Gray	
Mating receptacle part no.	TAK-V4LMDGB-AF+		Mating receptacle part no.	TAK-V4LMDGH-EF+	
Part no.	TAK-V4SFCGA-BA+		Part no.	TAK-V4SFCGD-FA+	
Hood A color	Blue		Hood A color	Orange	
Mating receptacle part no.	TAK-V4LMDGA-BF+		Mating receptacle part no.	TAK-V4LMDGD-FF+	
Part no.	TAK-V4SFCGC-CA+		Part no.	TAK-V4SFCGR-GA+	
Hood A color	Brown		Hood A color	Red	
Mating receptacle part no.	TAK-V4LMDGC-CF+		Mating receptacle part no.	TAK-V4LMDGR-GF+	
Part no.	TAK-V4SFCGG-DA+		Part no.	TAK-V4SFCGP-HA+	
Hood A color	Green		Hood A color	Purple	
Mating receptacle part no.	TAK-V4LMDGG-DF+		Mating receptacle part no.	TAK-V4LMDGP-HF+	

Table 1

Part no. of contact	Wire size	Insulation dia. max
TAK-FGB+	AWG#24~28	Ø1.1

Note. Contact parts described in above table are not included with this product part number.



RoHS compliant

5	Hood B	PBT	1	—	Black
4	Hood A	PBT	1	—	See Table #3
3	Shell	Stainless steel	1	Nickel plating	—
2	Contact	Copper alloy	4	Gold plating	See Table #1
1	Housing	PBT	1	—	Black

改版	年月日	変更者	変更内容	番号	部品名称	材質	個数	処理	備考
LTR.	DATE	BY	REV. DESCRIPT	No.	PART NAME	MATERIAL	QTY	FINISH	NOTE
△	Mar. 10 2015	T. K	Add. Part no.						
△	Aug. 7 2014	T. K	Changed shape						

年月日 DATE	尺度 SCALE	単位 UNIT	3角法	<b>HTK</b> 本多通信工業株式会社 HONDA TSUSHIN KOGYO CO., LTD.
Jan. 31 (2014)	5/1	mm (INCH)	3RD. A. P	
製 図 DR.	設 計 DE.	検 査 CHK.	検 査 CHK.	承 認 APP.
T. KAWANO	T. KAWANO	S. OHSHIMA	T. SATO	S. FURUSAWA
名 称 NAME				4 pos. female connector for application-USB
製 番 PART NO.				TAK-V4SFCG ( ) - ( ) A+
				REV. 2B