

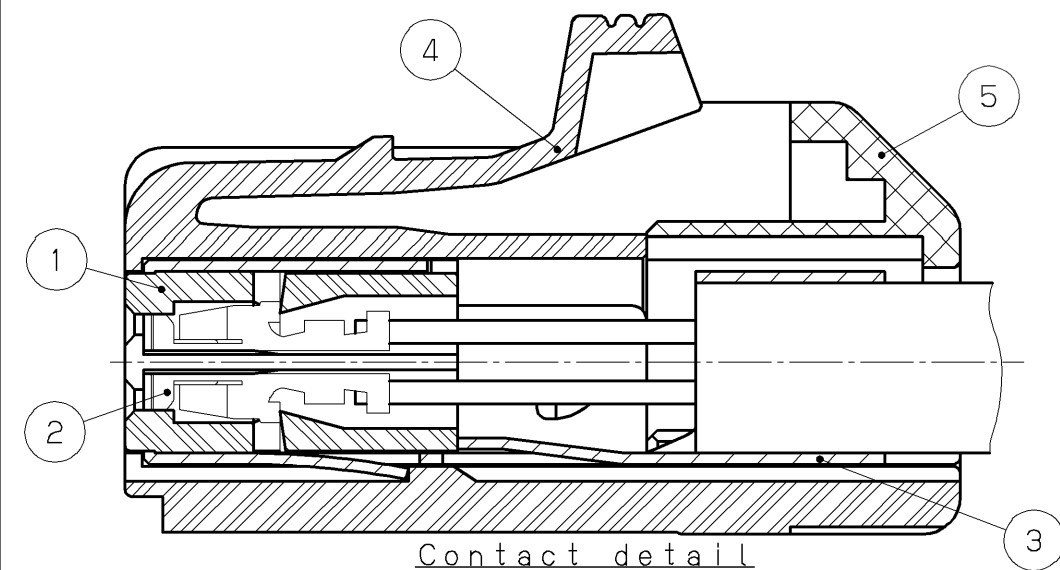
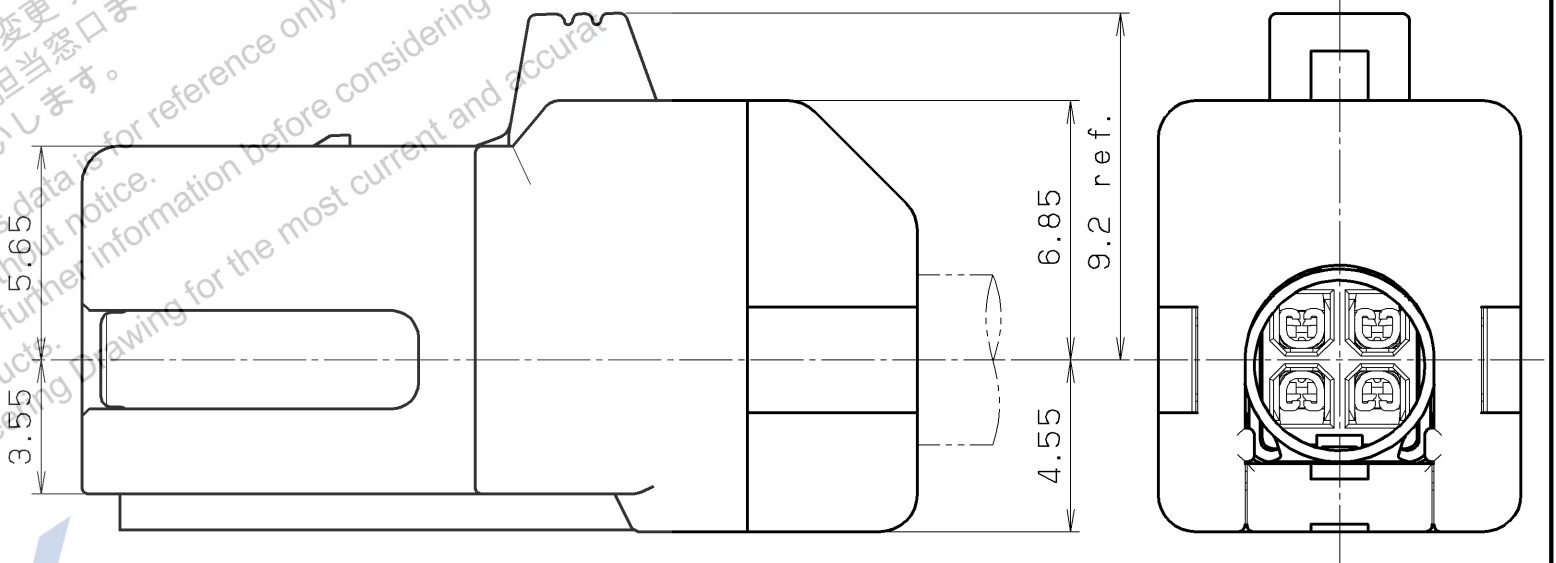
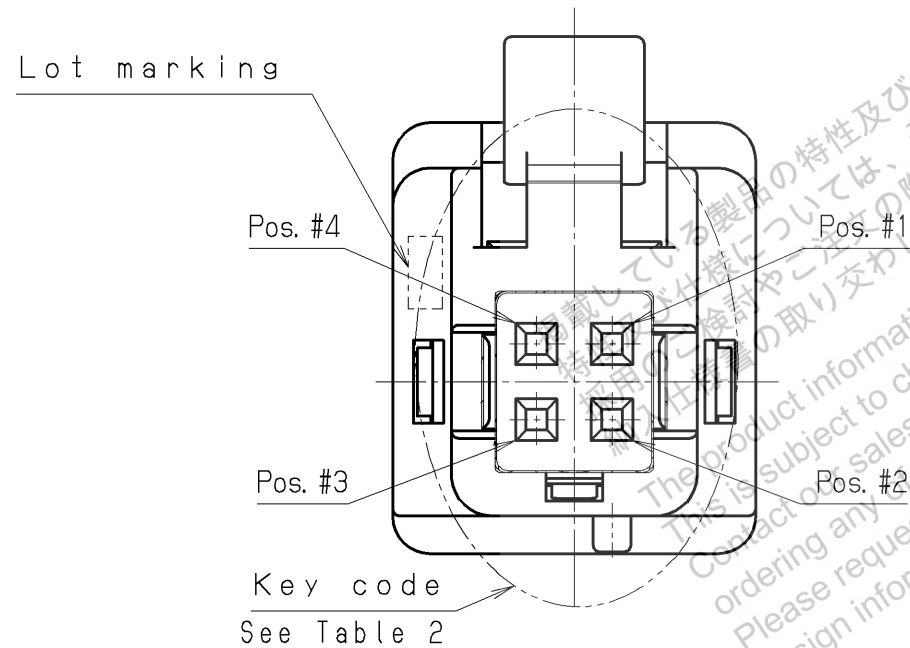
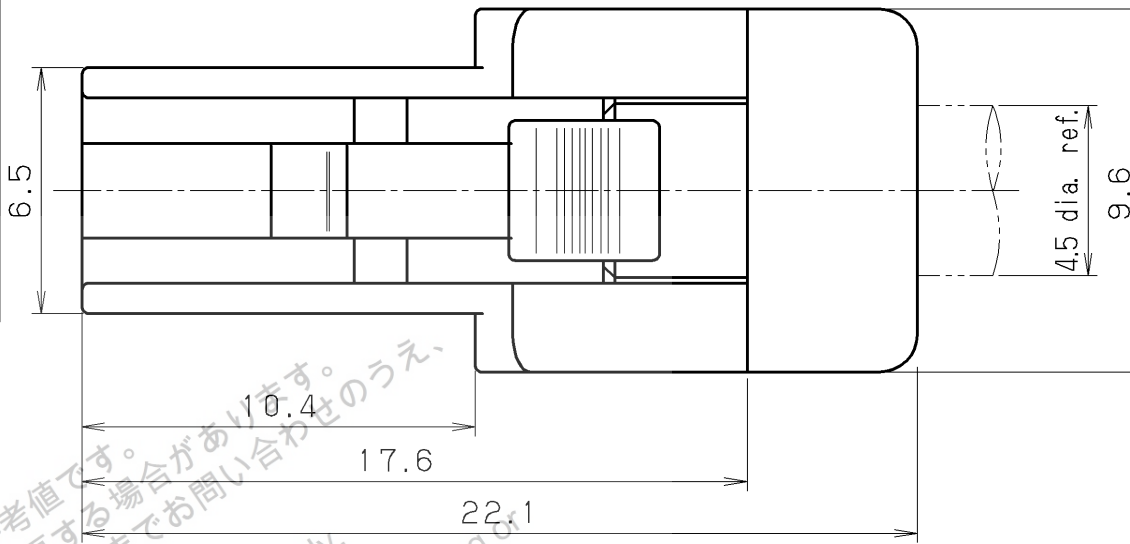
Table 2: Case A color and key code

Part No.	TAK-V4SFCGB-AA1+		Part No.	TAK-V4SFCGA-BA1+	
Case A color	Black		Case A color	Blue	
Mating receptacle part no.	TAK-V4LMDGB-AF+		Mating receptacle part no.	TAK-V4LMDGA-BF+	
Part No.	TAK-V4SFCGC-CA1+		Part No.	TAK-V4SFCGH-EA1+	
Case A color	Brown		Case A color	Gray	
Mating receptacle part no.	TAK-V4LMDGC-CF+		Mating receptacle part no.	TAK-V4LMDGH-EF+	

Table 1

Part No. of contact	Wire size	Insulation dia. max.
TAK-FGB+	AWG#24~28	1.1 dia.

Contact parts described in above table are not included with this product part number.



RoHS compliant

5	Case B	PBT (GF)	1	UL94V-0 Black
4	Case A	PBT (GF)	1	UL94V-0 See Table 1
3	Shell	Stainless steel	1	Nickel plating
2	Contact	Copper alloy	4	Gold plating See Table 1
1	Housing	PBT (GF)	1	UL94V-0 Black

改版 LTR.	年月日 DATE	変更者 BY	変更内容 REV. DESCRIPT	番号 No.	部品名称 PART NAME	材質 MATERIAL	個数 QTY	処理 FINISH	備考 NOTE
Aug.21(2019)			5/1						
DR.	DE.	CHK.	CHK.	APP.	HTK 本多通信工業株式会社 HONDA TSUSHIN KOGYO CO., LTD. 名称 NAME 4 pos. female connector (RoHS) 製番 PART NO. TAK-V4SFCG()-()A1+				
H. ASAHI	H. ASAHI	T. SOGO		H. AIZAWA	REV.				